



**Energyled**

Energyled Electronics Corporation

(Zone 22) North Guiyuan Rd., West Jixi Rd.,  
Duanzhou District, Zhaoqing City Guangdong  
Province, China

TEL:86-0758-2833488,2877017

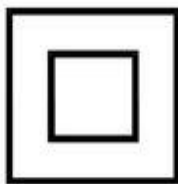
FAX:86-0758-2878014

<http://www.energyled.com>

# SPECIFICATION

*PART NO. : LWSSxH52B034*

**LED PANEL LIGHT**



Approved by

Checked by

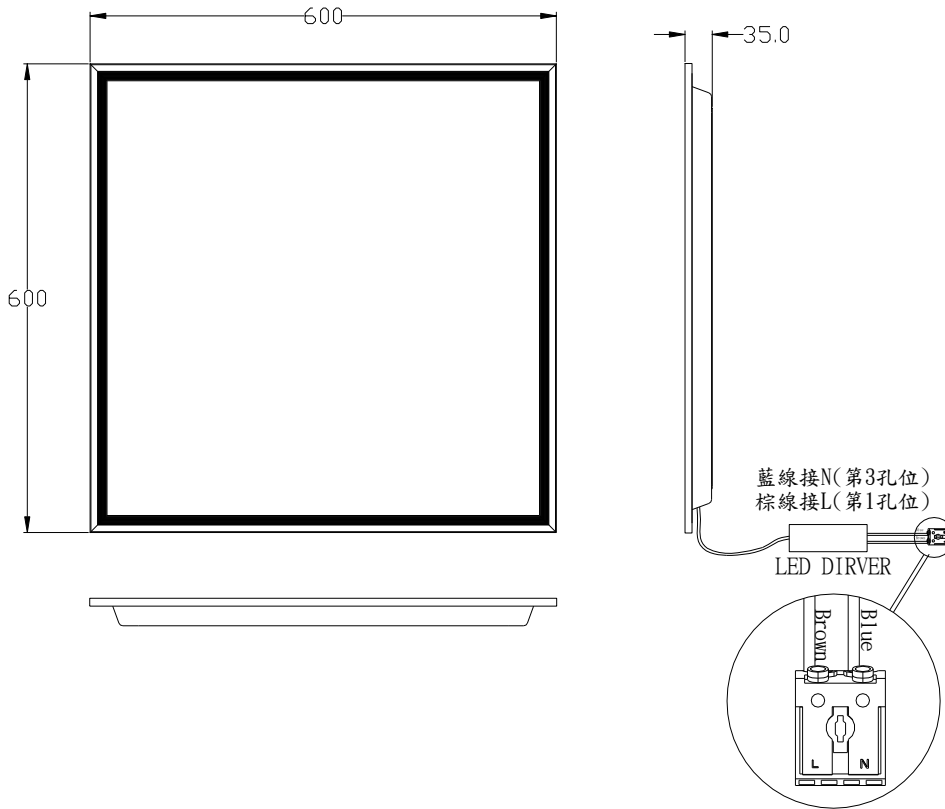
Prepared by

*Yang*

*Mark*

*Jx*



**Dimensions:**
**600x600x35mm**


- 1.All dimensions are in millimeters..
- 2.Tolerance is  $\pm 2.0$ mm unless otherwise noted.

**Description**

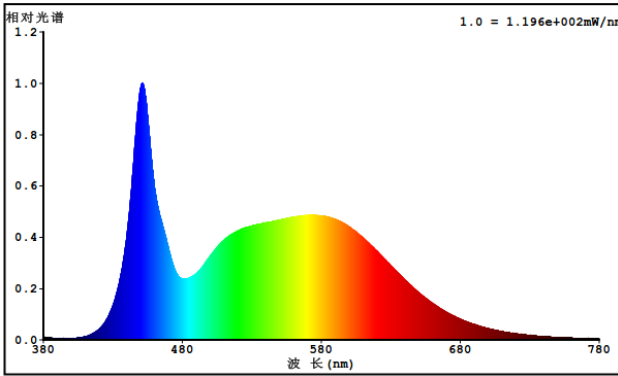
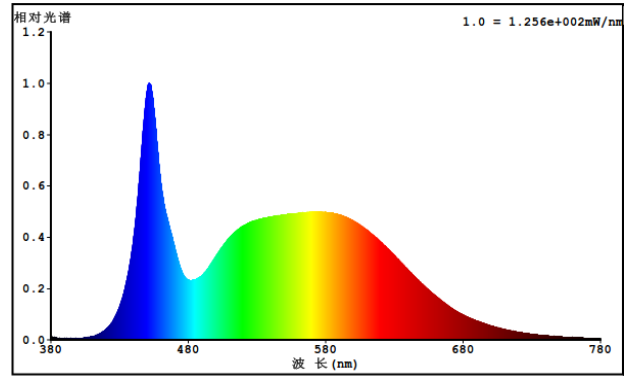
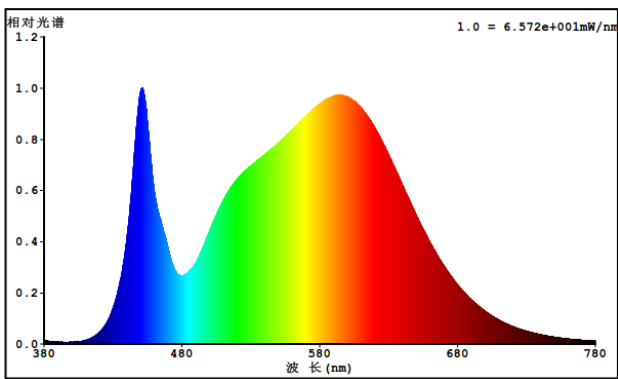
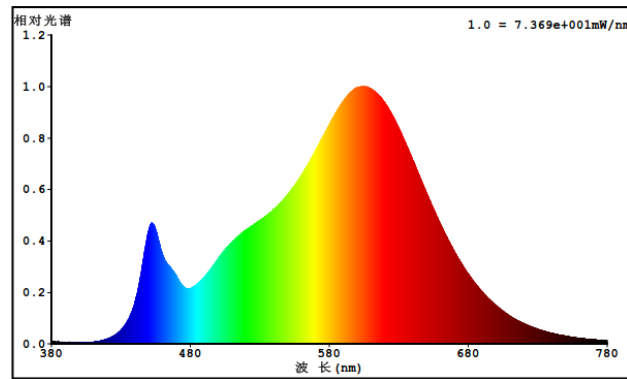
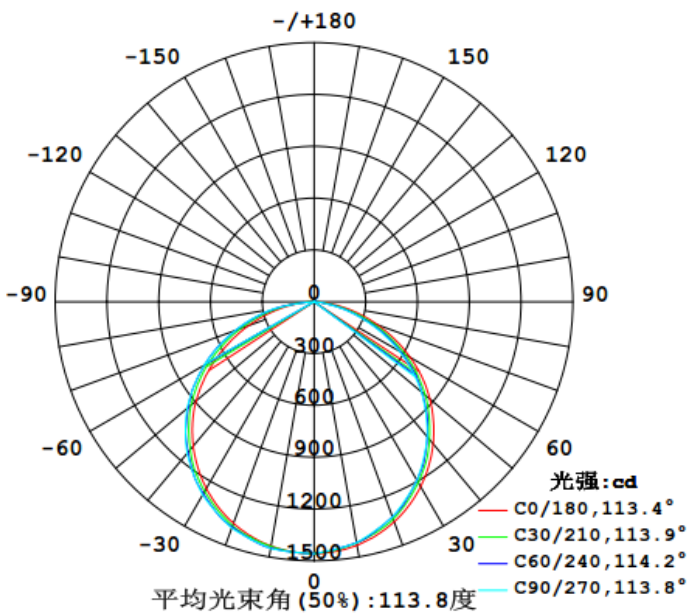
Part No.	Emitting Color	CCT
LWSSWH52B034	Warm White	3000K
LWSSTH52B034	Natural White	4000K
LWSSCH52B034	White	5700K
LWSSNH52B034	Cool White	6500K

**Absolute Maximum Ratings**

Parameter	Symbol	Rating	Unit
Input Voltage Range	Vac	100 - 240	V
Operating Temperature Range	Topr.	-5 to +40	°C
Storage Temperature Range	Tstg.	-20 to +60	°C

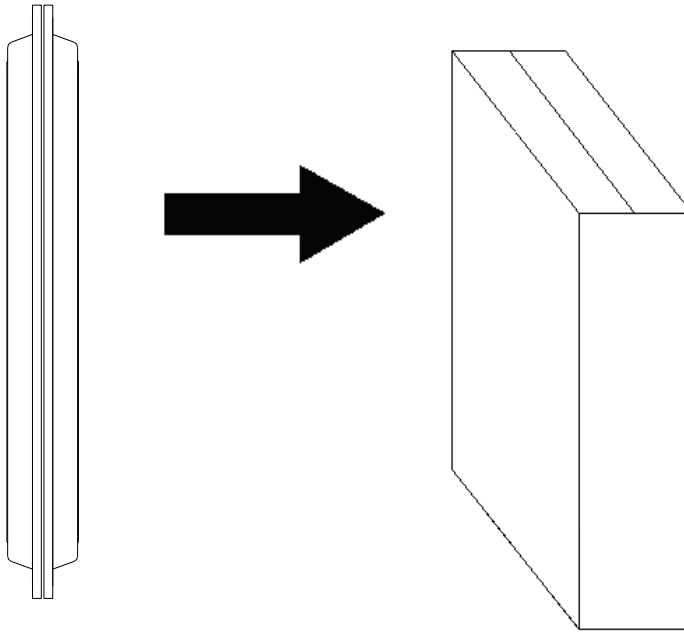
**Electrical and Optical Characteristics**

Item		Symbol	Condition	Min.	Typ.	Max.	Unit	
Luminous Flux	3000K	$\Phi_v$	220 VAC	3240	3600	-	Lm	
	4000K			3600	4000	-		
	5700K			3600	4000	-		
	6500K			3600	4000	-		
Correlated Color Temperature	3000K	CCT		2700	3000	3300	K	
	4000K			3600	4000	4400		
	5700K			5200	5700	6000		
	6500K			6000	6500	7000		
Color Index		Ra			80	-	-	-
Viewing Angle		$\Delta\theta$			-	110°	-	Deg
Power Consumption		P <sub>D</sub>		36	40	44	W	
Power Factor		PF		0.9	-	-	-	

**Spectroradiometric Parameters (光譜曲線圖)**

**Spectral Distribution (nm) for 6500K**

**Spectral Distribution (nm) for 5700K**

**Spectral Distribution (nm) for 4000K**

**Spectral Distribution (nm) for 3000K**
**Light Distribution Curve**




**Package**



Item P/N.	Quantity	L(mm)	W(mm)	H(mm)	N.W(Kg)	G.W(Kg)
LWSSxH52B034	2pcs	637	76	664	3.2	3.8