



EnergyLED

6F.,NO.542-4,Zhongzheng Rd ., Xindian Dist.,
,New Taipei City 231,Taiwan (R.O.C)
TEL : 886-2-7729-0589
FAX : 886-2-7729-1871
<http://www.energyled.com>

SPECIFICATION

PART NO. : BAxxxGSWC0017

Shoe Box Light



IP66 IK09 LM79 LM80

Approved by

Checked by

Prepared by

Gary

Tony shen

Jason lee



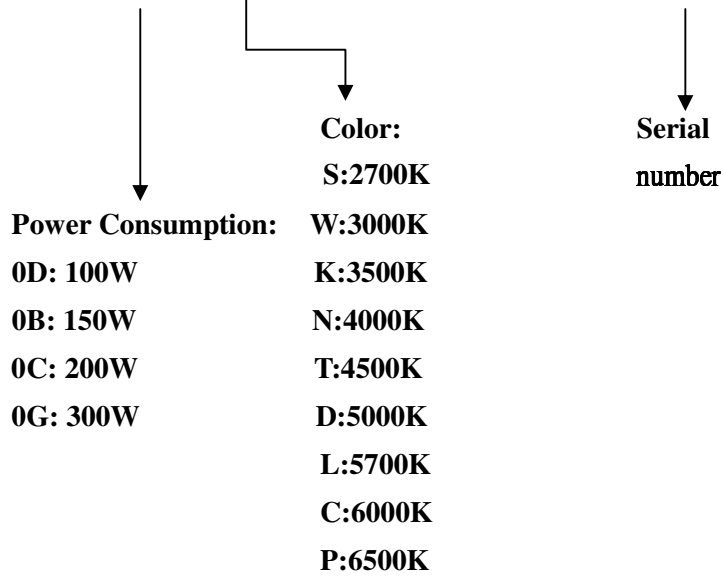
MODIFY RECORD

TAKE EFFECT DATE	MODIFY ISSUES	REMARKS

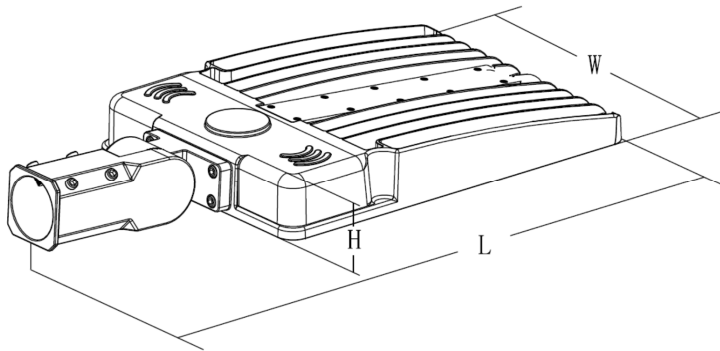


Part Number Information:

B A xx x GSWC0017



Dimensions(尺寸):



PART NO.	(L) ± 5.0(mm)	(W) ± 5.0(mm)	(H) ± 5.0(mm)
BA0DxGSWC0017	564	316	65
BA0BxGSWC0017	564	316	65
BA0CxGSWC0017	653	316	65
BA0GxGSWC0017	739	316	75

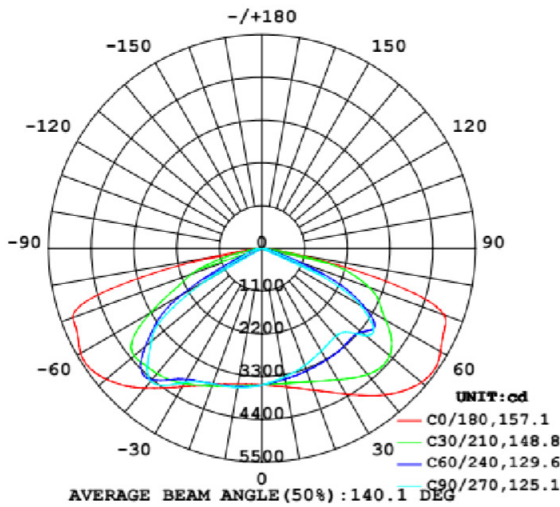
1. All dimensions are in millimeters.

**Electrical And Optical Characteristics(光電特性):**

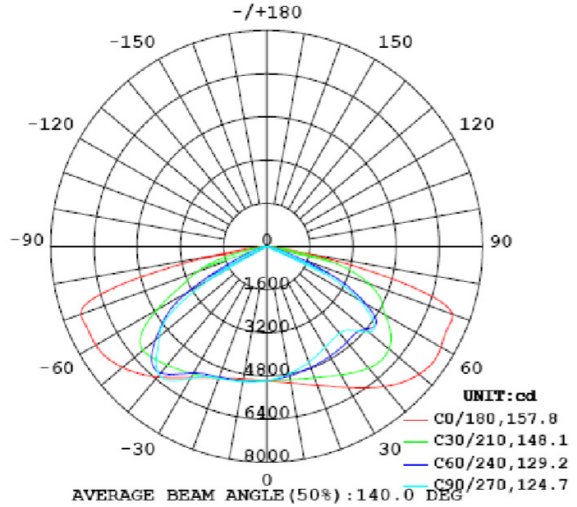
Input Voltage	AC100~240V / 50~60Hz
Power Factor	> 0.95
Input Power	100W±10、150W±10、200W±10、300W±10
Luminous Flux Output	150 Lm / W±10 (for 100W) 145 Lm / W±10 (for 150W、200W、300W)
Ra	>70
Beam Angle	155° * 125°
Operating Temperature	-40°C ~ +50°C
Environment Temperature	-40°C ~ +50°C
Life Time	>30000H
Waterproof Rating	IP66
Typical On/Off Level	50 Lux
Typical Time Delay	10 Sec
Maximum Peak Current	10kA (8/20µs standard wave)



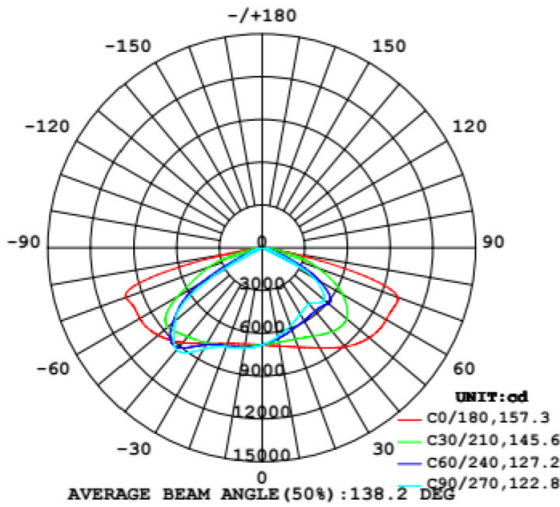
Luminous Intensity Distribution Diagram:



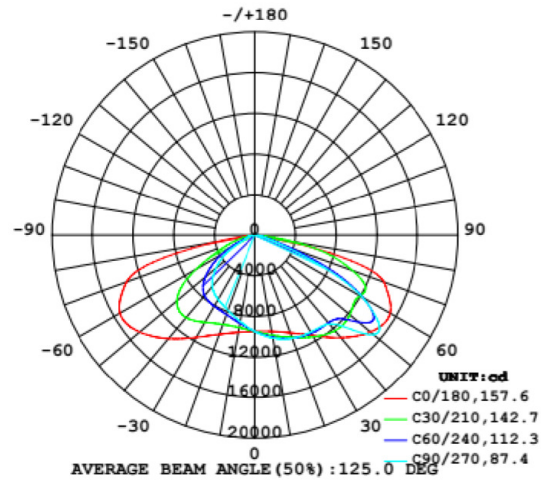
100W



150W



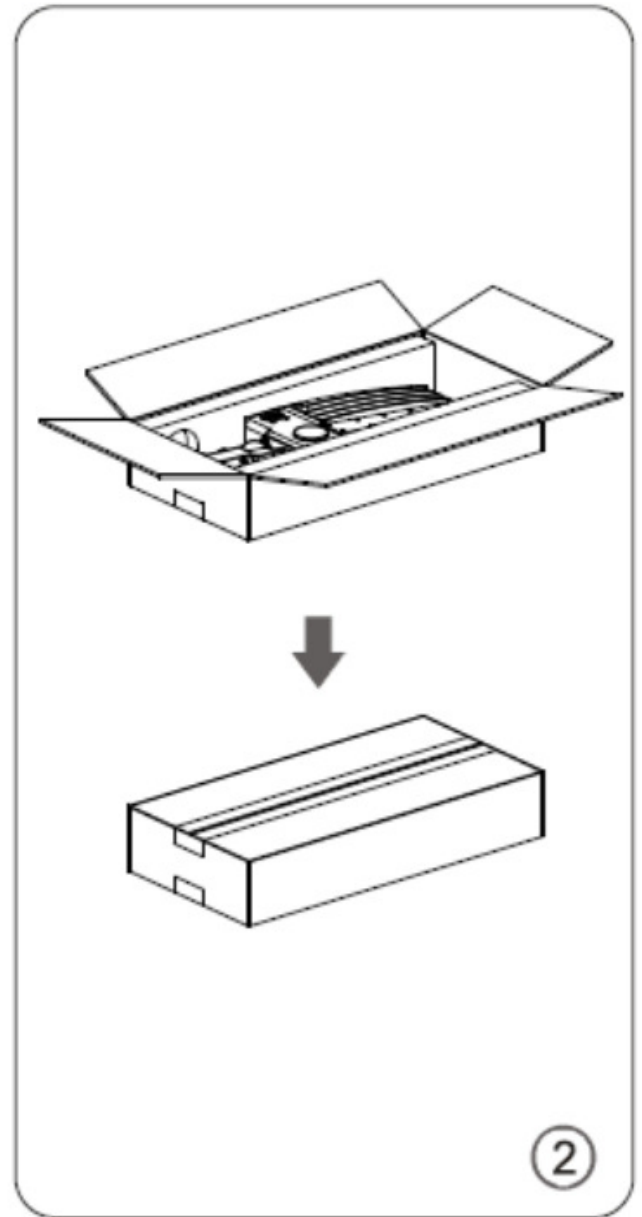
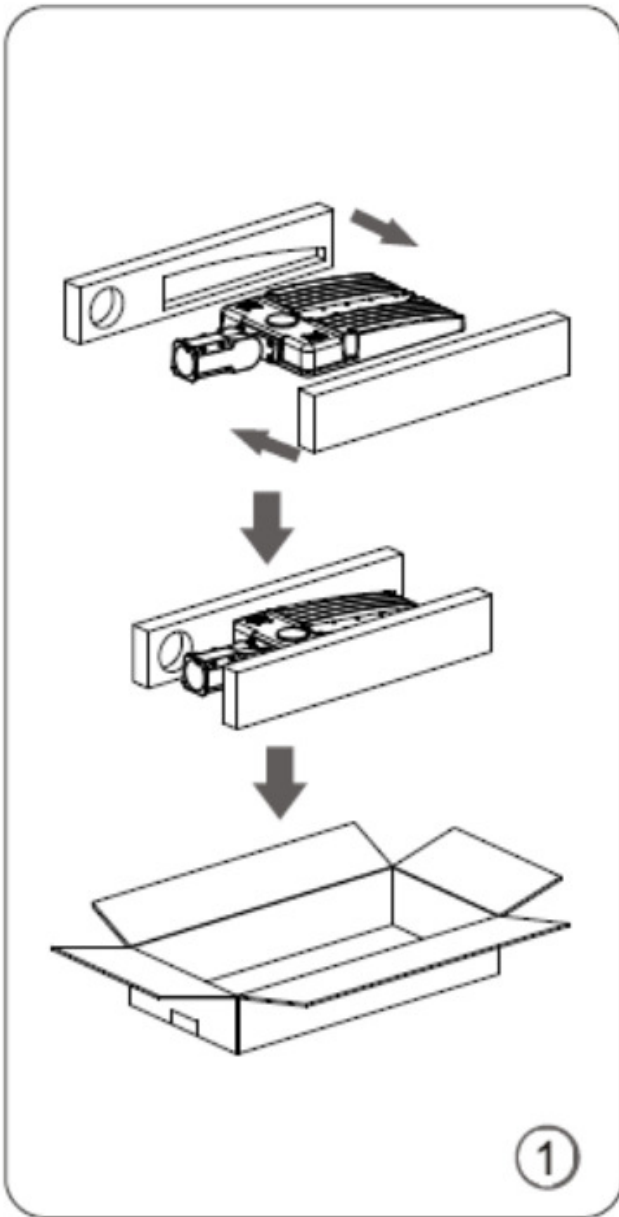
200W



300W



Packing method



PART NO.	Quantity	G.W (Kg)	L(mm)	W(mm)	H(mm)
BA0DxGSWC0017	1 PCS	5	605	370	135
BA0BxGSWC0017	1 PCS	5	605	370	135
BA0CxGSWC0017	1 PCS	7.2	700	370	135
BA0GxGSWC0017	1 PCS	8	785	372	140