



EnergyLED

6F.,NO.542-4,Zhongzheng Rd ., Xindian Dist.,
,New Taipei City 231,Taiwan (R.O.C)
TEL : 886-2-7729-0589
FAX : 886-2-7729-1871
<http://www.energyled.com.tw>

SPECIFICATION

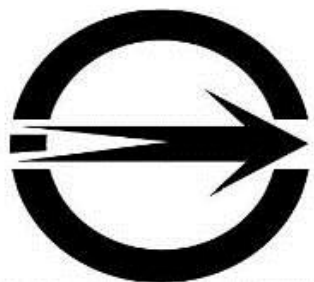
(規格書)

PART NO. : R8DDB11-UNI2-xW1-015

6 吋薄型均光崁燈

6" Down Light

通過 CNS14115/CNS14335/CSN15592 產品認證



Approved by

Checked by

Prepared by

Gary

-

Tony



MODIFY RECORD

TAKE EFFECT DATE	MODIFY ISSUES	REMARKS
2018/07/27	1. 變更線材長度標示說明之位置. 2. 修正外紙箱尺寸: L 尺寸從 478mm 改成 510mm. W 尺寸從 383mm 改成 395mm.	回收 01 版,發行 02 版



Part Number Information(產品型號說明):

R8DDB11-UNI2-xW1-015



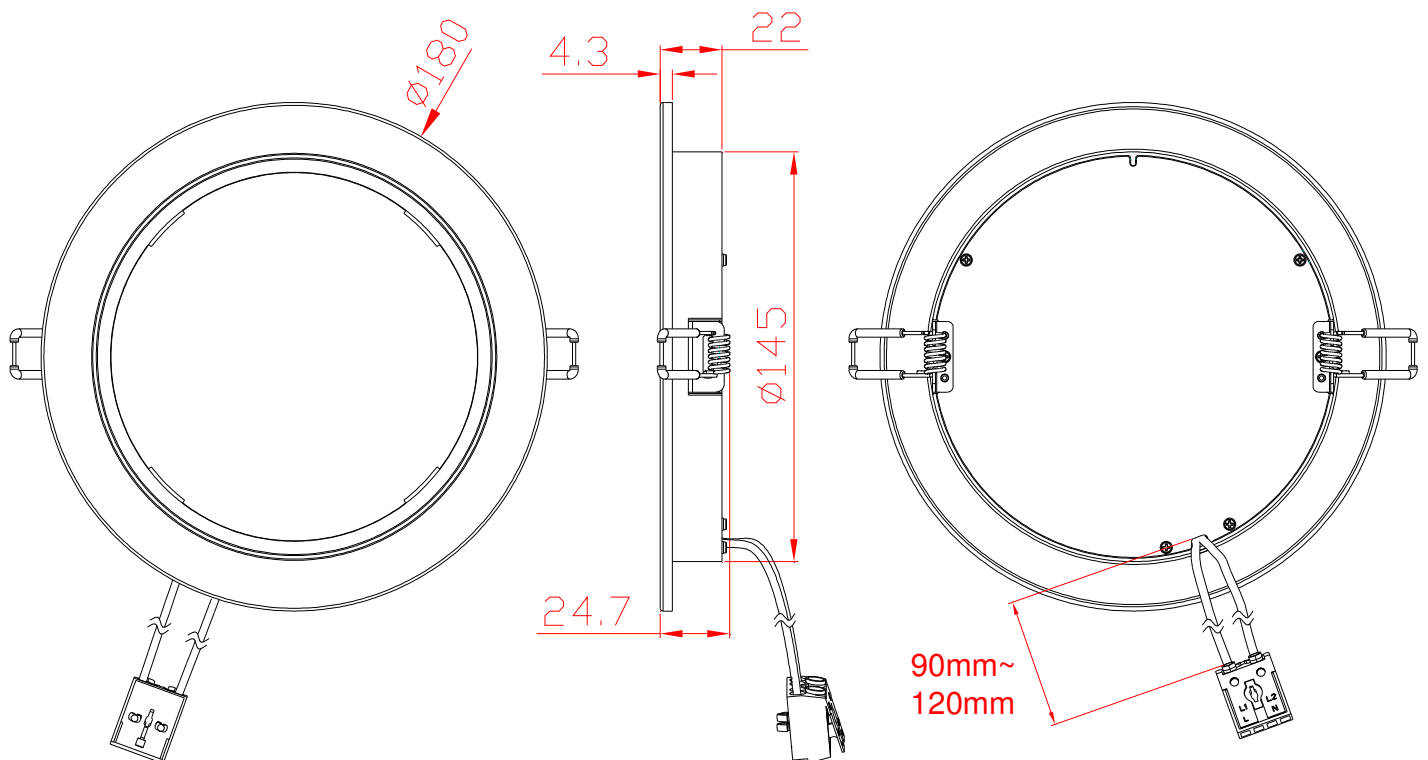
CCT code(色溫碼)

W → 3000K

N → 4000K

D → 5700K

Dimensions(尺寸):



Recessed into the hole : Φ 150 mm
(開孔尺寸建議為 Φ 150 mm)



1. All dimensions are in millimeters.(所有尺寸採用毫米規格)
2. Tolerance is ± 2.0 mm unless otherwise noted.(未標註之尺寸公差值為 ± 2.0 毫米)

**Absolute Maximum Ratings(最大標示值):**

Input Voltage Range/Frequency (輸入電壓/頻率範圍)	AC100-240V /50~60Hz
Operating Temperature Range (操作溫度範圍)	-20 ~ +50°C
Storage Temperature Range (儲存溫度範圍)	-20 ~ +60°C

Electrical And Optical Characteristics(光電特性表):

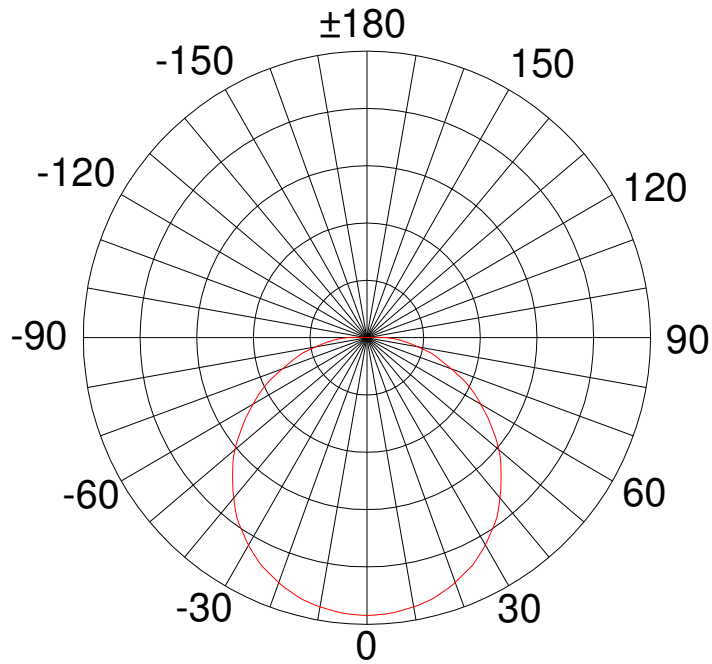
Parameter	Symbol	Condition	Min.	Typ.	Max.	Unit
Luminous Flux	Φ_v	220VAC	1050	1200	--	Lm
Correlated Color Temperature	CCT		5400	5700	6100	K
Power Consumption	P_D		13.5	15	16.5	W
Power Factor	PF		0.9	-	-	%
Rendering Index	Ra		80	-	-	%

Parameter	Symbol	Condition	Min.	Typ.	Max.	Unit
Luminous Flux	Φ_v	220VAC	1050	1200	--	Lm
Correlated Color Temperature	CCT		3700	4000	4300	K
Power Consumption	P_D		13.5	15	16.5	W
Power Factor	PF		0.9	-	-	%
Rendering Index	Ra		80	-	-	%

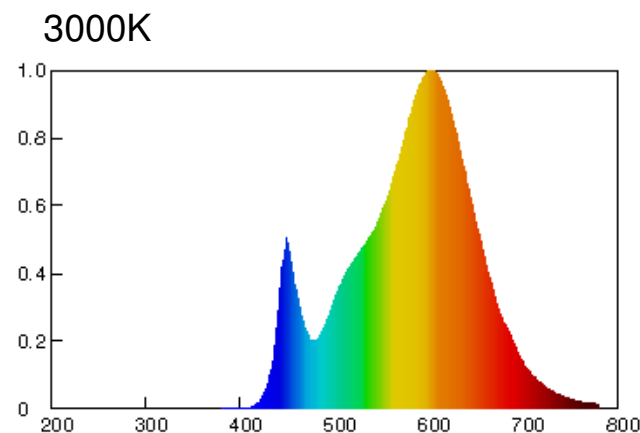
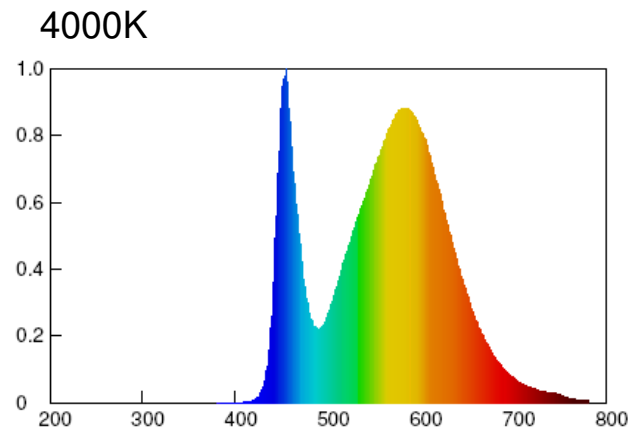
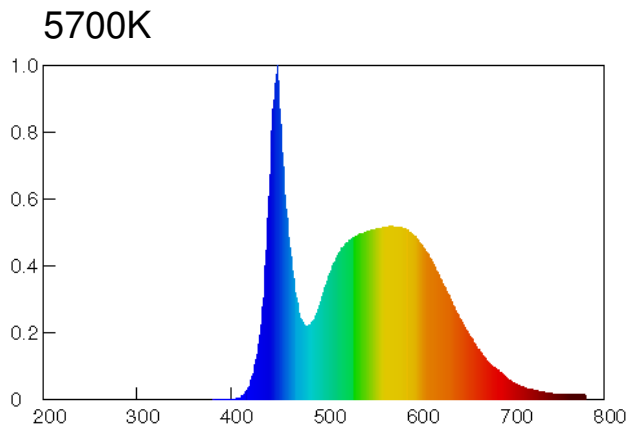
Parameter	Symbol	Condition	Min.	Typ.	Max.	Unit
Luminous Flux	Φ_v	220VAC	975	1080	--	Lm
Correlated Color Temperature	CCT		2700	3000	3300	K
Power Consumption	P_D		13.5	15	16.5	W
Power Factor	PF		0.9	-	-	%
Rendering Index	Ra		80	-	-	%



Radiation Diagram (配光曲線圖):

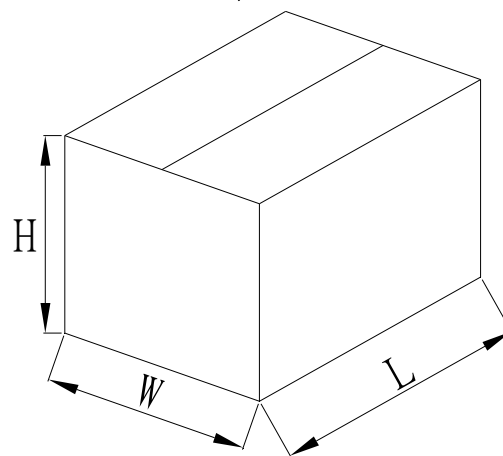
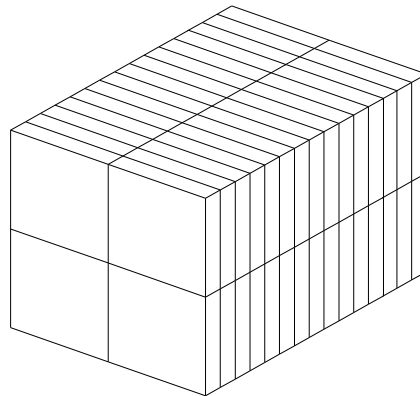
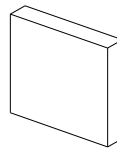
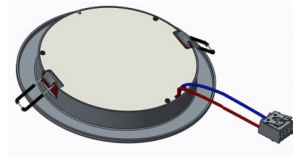


Spectral Distribution (頻譜圖) :





Encased Type (包裝方式):



PART NO. (型號)	Quantity (數量)	L(mm) (長度)	W(mm) (寬度)	H(mm) (高度)
R8DDB11-UNI2-xW1-015	60 PCS	510	395	396

OUTTER CARTON (外紙箱)