



LEDTECH ELECTRONICS CORP.

NANYA ROAD, MUGANG ZHAOQING
CITY GUANGDONG CHINA.

TEL: 86-758-2875541, 2870651, 2877464, 2876185, 2877017

FAX: 86-758-2878014

[Http://www.ledtech.com.tw](http://www.ledtech.com.tw)

SPECIFICATION

PART NO. : BA06XHC5W0001

MR16 CUP LIGHT
PRELIMINARY



Approved by

Checked by

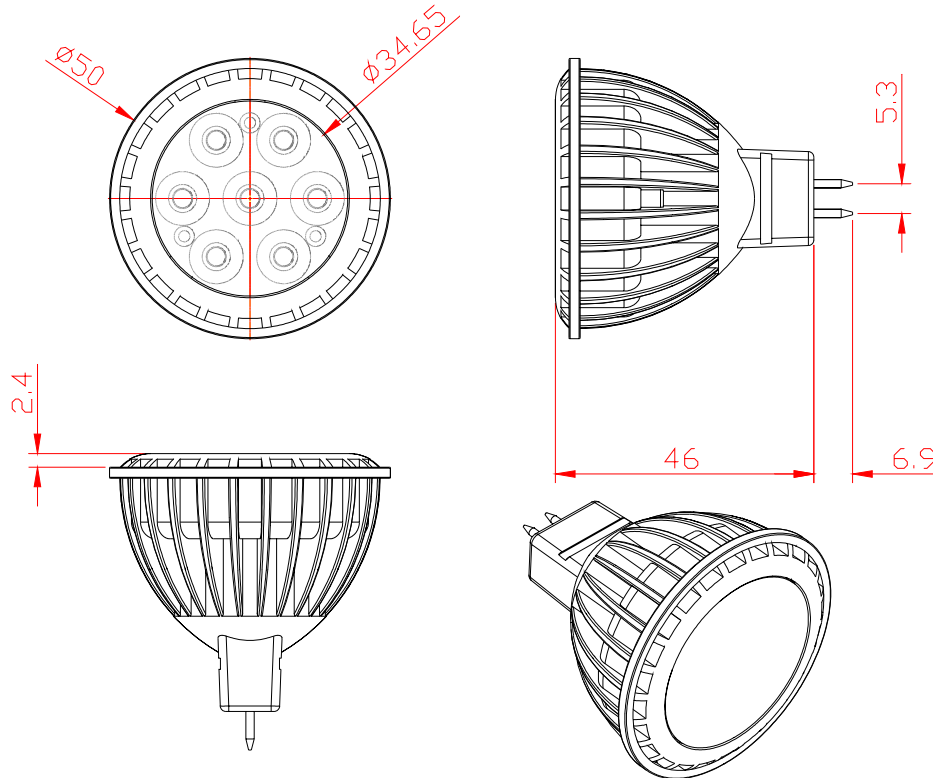
Prepared by

Kj

Yang

Jx

Assembly drawing:



1. All dimensions are in millimeters
2. Tolerance is ± 1.0 mm unless otherwise noted

Description

Part No.	Emitting Color	CCT	Operation
BA06WHC5W0001	Warm White	3000K	AC100-240V
BA06THC5W0001	White	4000K	AC100-240V
BA06CHC5W0001	White	5700K	AC100-240V



BA06XHC5W0001

MR16 CUP LIGHT

Absolute Maximum Ratings at Ta=25

Parameter	Symbol	Rating	Unit
Power Dissipation	P _D	7.5	W
Operating Temperature Range	Topr.	-0 to +40	
Storage Temperature Range	Tstg.	-20 to +60	

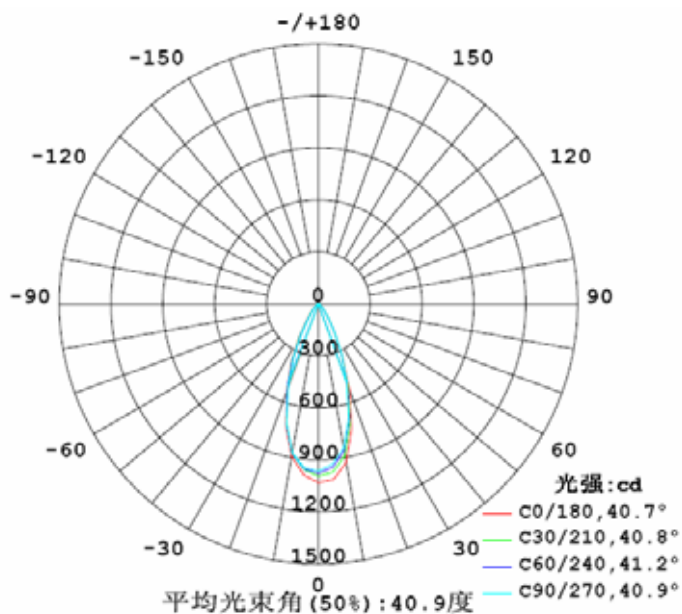
Electrical and Optical Characteristics:

Parameter (BA06WHC5W0001)	Symbol	Condition	Min.	Typ.	Max.	Unit
Luminous Flux	ν	AC220V	400	500	-	lm
Illuminance@100cm distance	E	AC220V	900	1100	-	Lux
Correlated Color Temperature	CCT	AC220V	2700	3000	3300	k
Viewing Angle	$\Delta \theta$	AC220V	---	40°	---	Deg
Power Dissipation	P _D	AC220V	-	6.3	-	W

Parameter (BA06THC5W0001)	Symbol	Condition	Min.	Typ.	Max.	Unit
Luminous Flux	ν	AC220V	450	550	-	lm
Illuminance@50cm distance	E	AC220V	1000	1200	-	Lux
Correlated Color Temperature	CCT	AC220V	3600	4000	4400	k
Viewing Angle	$\Delta \theta$	AC220V	---	40°	---	Deg
Power Dissipation	P _D	AC220V	-	6.3	-	W

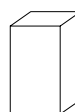
Parameter (BA06CHC5W0001)	Symbol	Condition	Min.	Typ.	Max.	Unit
Luminous Flux	ν	AC220V	450	550	-	lm
Illuminance@50cm distance	E	AC220V	1000	1200	-	Lux
Correlated Color Temperature	CCT	AC220V	5250	5700	6250	k
Viewing Angle	$\Delta \theta$	AC220V	---	40°	---	Deg
Power Dissipation	P _D	AC220V	-	6.3	-	W

Light Distribution Curve[Unit] :



Packing method

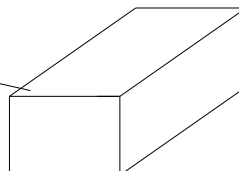
P/N: XXXXXXXX
 INPUT:XXXX
 S/N:XXXXX
 L/N:XXXXXXXXXX
 COLOR:3000K/XX



INNER BOX
 QUANTITY: XX PACKETS
 TOTAL: XXPCS

Ledtech LEDTECH ELECTRONICS CORP.
 LED MR16 LIGHT
 P/N:XXXXXXXXXX
 INPUT:XXXXXXXXXXXX
 COLOR: Warm White/3000K/(White/6000K)
 LOT NO:XXXXXXXXXX
 QTY.: XX PCS
 DATE:XXXX

BIN:	XX	XX
	XX PCS	XX PCS



OUTER CARTON
 QUANTITY: X BOXES
 TOTAL: XX PCS

C/T NO. 箱 號	XX
PART NO. 料 號	XXXXXXXXXXXX
QUANTITY 數 量	PCS
N.W. 淨 重	KGS
G.W. 毛 重	KGS
REMARK 備 註	

