



Energyled

6F.,NO.542-4,Zhongzheng Rd ., Xindian Dist.,
,New Taipei City 231,Taiwan (R.O.C)
TEL : 886-2-7729-0589
FAX : 886-2-7729-1871
<http://www.energyled.com>

SPECIFICATION

PART NO. : BAxxCGHWW0401

投射燈

Spot Light

Approved by

Checked by

Prepared by

Gary

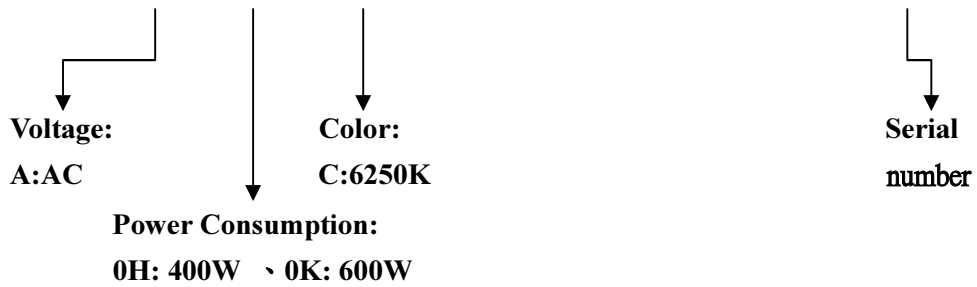
Tony Shen

Jason Lee



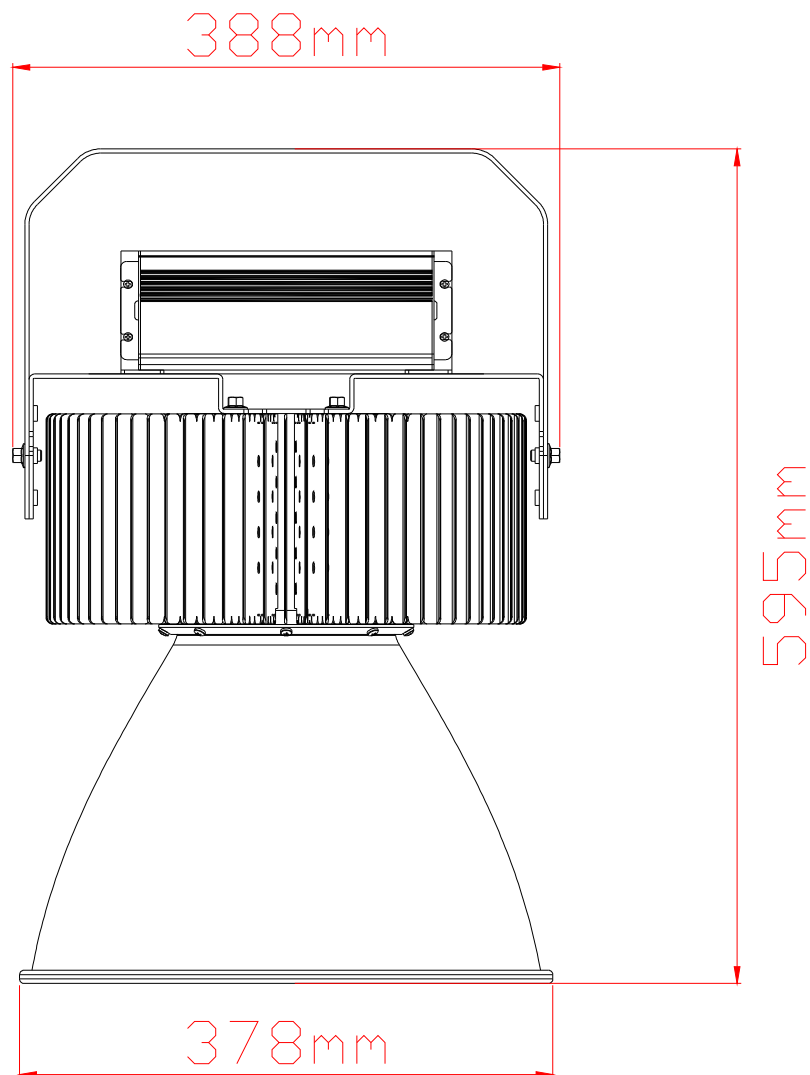
Part Number Information:

B x xx C GHWW04xx



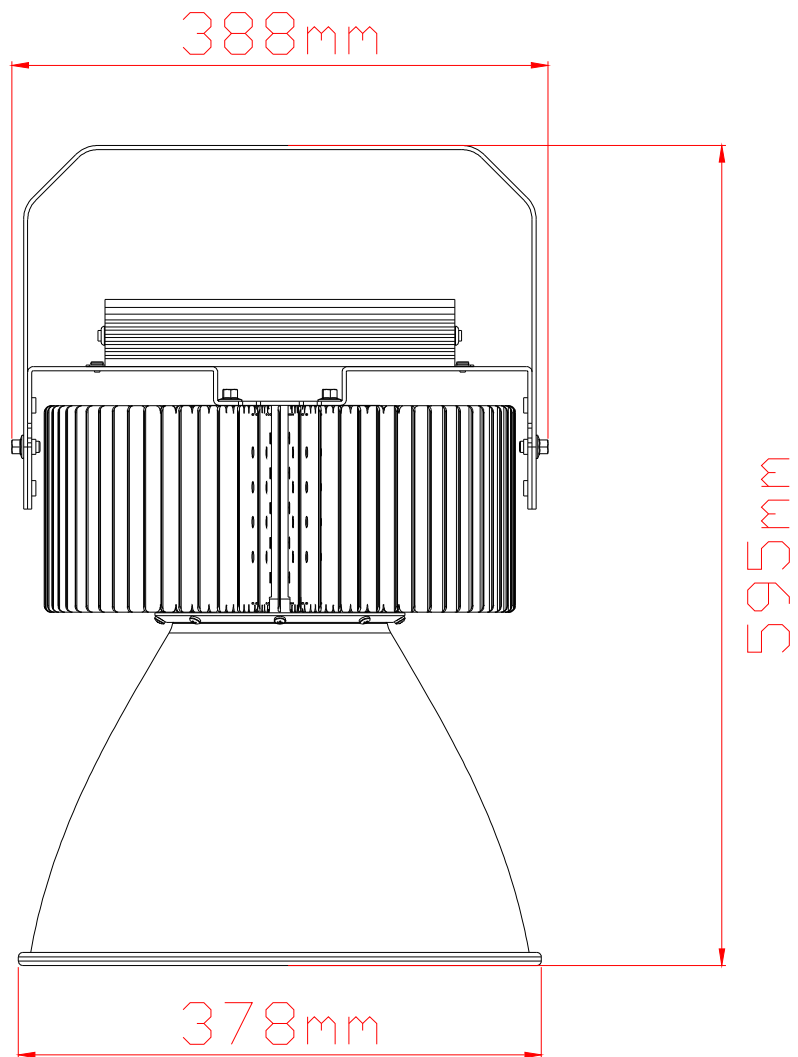
Dimensions(尺寸):

400W:





600W:



1. All dimensions are in millimeters.
2. Tolerance is ± 10 mm unless otherwise noted.

**Description**

| Part No. | Emitting Color | CCT | Operation Voltage |
|---------------|----------------|-------|-------------------|
| BAxxCGHWW0401 | White | 6500K | 90-305 VAC |

Absolute Maximum Ratings at Ta=25 °C

| Parameter | Symbol | Rating | Unit |
|---|--------|------------|------|
| Operating Temperature Range | Topr. | -40 to +50 | °C |
| Storage Temperature Range | Tstg. | -40 to +60 | °C |
| Electric Static Discharge Threshold (HBM) | ESD | 6000 | V |
| Operating Humidity (non – condensing) | % | 20~90 | RH |

**Electrical And Optical Characteristics(光電特性):****BA0HCGHWW0401 Series**

| PART NO. : BA0HCGHWW0401 | Symbol | Condition | Min. | Typ. | Max. | Unit |
|------------------------------|-----------------|------------|--------|--------|------|------|
| Parameter | | | | | | |
| Luminous Flux | Φ_v | 90-305 VAC | 29300 | 34460 | - | lm |
| Correlated Color Temperature | CCT | 90-305 VAC | 6000 | 6500 | 7000 | K |
| Color Index | % | 90-305 VAC | 70 | - | - | Ra |
| Viewing Angle | $\Delta \theta$ | 90-305 VAC | -- | 12° | -- | Deg |
| Illuminance @ 1M distance | | 90-305 VAC | 288805 | 338900 | -- | Lux |
| Illuminance @ 10M distance | | 90-305 VAC | 2880 | 3389 | -- | Lux |
| Illuminance @ 20M distance | | 90-305 VAC | 720 | 847 | -- | Lux |
| Illuminance @ 30M distance | | 90-305 VAC | 315 | 375 | -- | Lux |
| Illuminance @ 40M distance | | 90-305 VAC | 175 | 210 | -- | Lux |
| Illuminance @ 50M distance | | 90-305 VAC | 115 | 135 | -- | Lux |
| Power Consumption | P _D | 90-305 VAC | 360 | 400 | 440 | W |
| Power Factor | | 90-305 VAC | 0.92 | 0.95 | -- | |
| Surge Current | | 90-305 VAC | -- | -- | 4K | A |
| Finished weight | | | -- | 15 | 15.5 | kg |

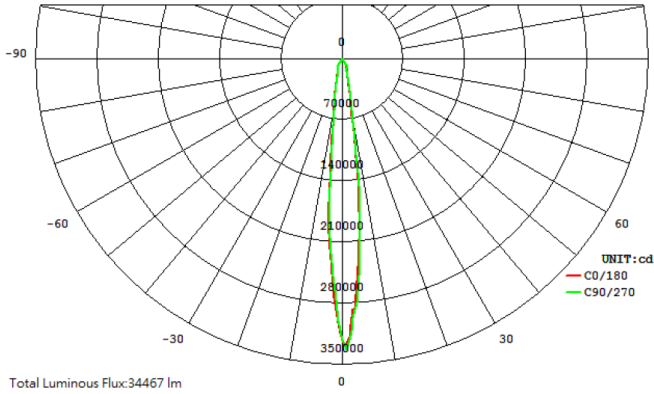
**BA0KCGHWW0401 Series**

| PART NO. : BA0KCGHWW0401 | Symbol | Condition | Min. | Typ. | Max. | Unit |
|------------------------------|-----------------|------------|--------|--------|------|------|
| Parameter | | | | | | |
| Luminous Flux | Φ_v | 90-305 VAC | 50650 | 59590 | - | lm |
| Correlated Color Temperature | CCT | 90-305 VAC | 6000 | 6500 | 7000 | K |
| Color Index | % | 90-305 VAC | 70 | - | - | Ra |
| Viewing Angle | $\Delta \theta$ | 90-305 VAC | -- | 16° | -- | Deg |
| Illuminance @ 1M distance | | 90-305 VAC | 353000 | 415300 | -- | Lux |
| Illuminance @ 10M distance | | 90-305 VAC | 3525 | 4150 | -- | Lux |
| Illuminance @ 20M distance | | 90-305 VAC | 8880 | 1035 | -- | Lux |
| Illuminance @ 30M distance | | 90-305 VAC | 390 | 460 | -- | Lux |
| Illuminance @ 40M distance | | 90-305 VAC | 220 | 260 | -- | Lux |
| Illuminance @ 50M distance | | 90-305 VAC | 140 | 165 | -- | Lux |
| Power Consumption | P _D | 90-305 VAC | 560 | 600 | 640 | W |
| Power Factor | | 90-305 VAC | 0.92 | 0.95 | -- | |
| Surge Current | | 90-305 VAC | -- | -- | 4K | A |
| Finished weight | | | -- | 15 | 15.5 | kg |



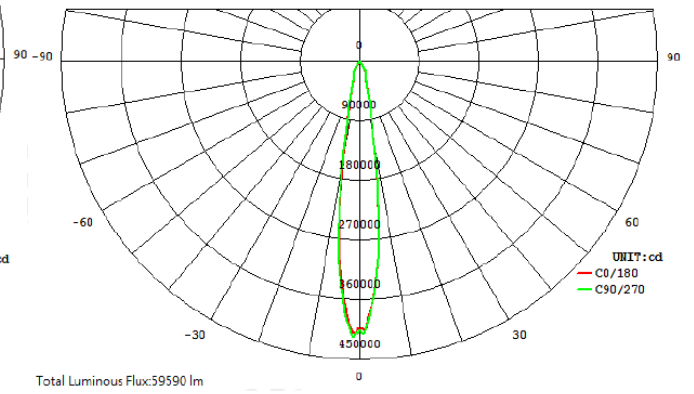
Radiation Diagram

Polar Luminous Intensity Distribution



BA0HCGHWW0401

Polar Luminous Intensity Distribution



BA0KCGHWW0401



OPTION:

Surge Protection Device

Part No:ETSPSD20-0

Size:90*70*50mm

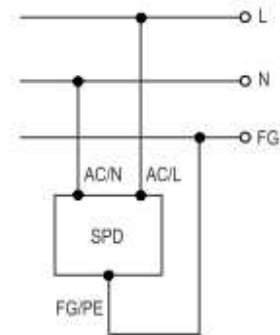
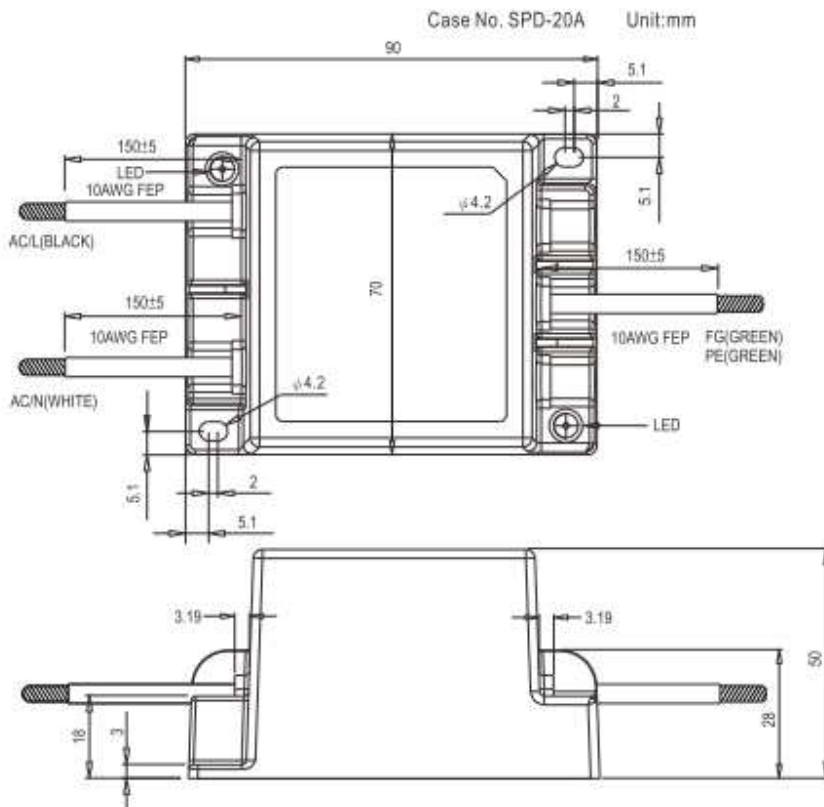
N.W.(KGS) / PCS:0.39



| | |
|---|----------------------|
| MODEL | SPD-20-277P |
| OPERATING VOLTAGE | 277VAC 50/60Hz |
| MCOV(MAX. CONTINUOUS OPERATING VOLTAGE) | 320VAC |
| UC(MAX. CONTINUOUS OPERATING VOLTAGE)Note.4 | 300VAC |
| VPR (VOLTAGE PROTECTION RATING) | 1500V(L-FG,N-FG,L-N) |
| UP (VOLTAGE PROTECTION LEVEL)Note.5 | 1500V(L-PE,N-PE,L-N) |
| IN (NOMINAL DISCHARGE CURRENT) | 5kA |
| MAX. SURGE CURRENT(8/20us) | 20kA |
| Imax. (MAX. DISCHARGE CURRENT) Note.6 | 20kA |
| SCCR (SHORT CIRCUIT CURRENT RATING)Note.3 | 5kA |
| SHORT-CIRCUIT WITHSTAND Note.7 | 1.5kA |

Mechanical Specification

CONNECTIONS



An extra Meanwell SPD (up to 20KA) will be added to each Spot Light to keep your LED secure even further ◦