



EnergyLED

6F.,NO.542-4,Zhongzheng Rd ., Xindian Dist.,
,New Taipei City 231,Taiwan (R.O.C)
TEL : 886-2-7729-0589
FAX : 886-2-7729-1871
<http://www.energyled.com.tw>

SPECIFICATION

PART NO. : E-1541-x000K-x

Bollard Light / Wall Light



IP54

Approved by

Checked by

Prepared by

Gary

-

Tony



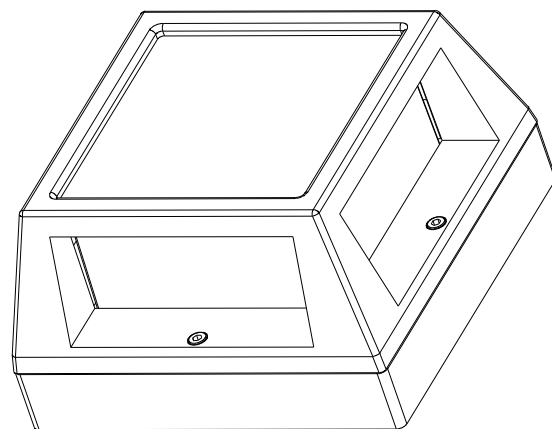
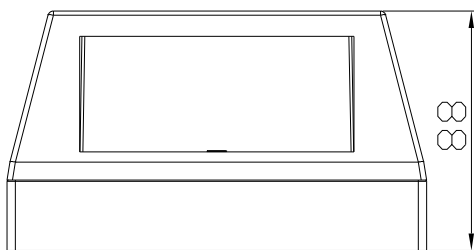
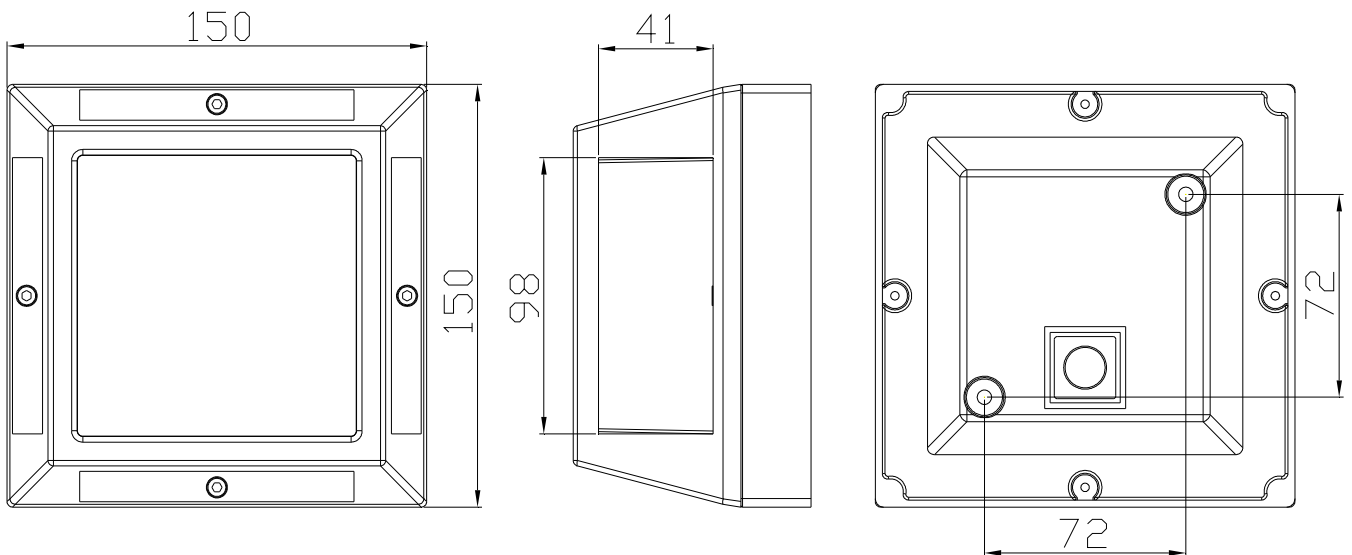
Part Number Information (型號資訊):

E-1541-x000K-x

3: 3000K CCT
6: 6000K CCT

1: AC110-130Vac
2: AC220-240Vac

Dimensions(尺寸):



3D VIEW

LED x 40 PCS

1. All dimensions are in millimeters.
2. Tolerance is ± 3 mm unless otherwise noted.



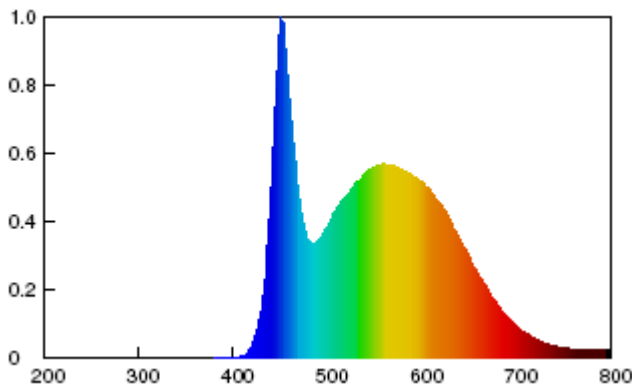
Absolute Maximum Ratings at Ta=25 °C (限制值範圍於 Ta 25°C)

Parameter	Symbol	Rating		Unit
Input Voltage Range	Vac	110V model	100 – 130	V
		220V model	220 – 240	
Operating Temperature Range	Topr.	-30 to +50		°C
Storage Temperature Range	Tstg.	-40 to +60		°C

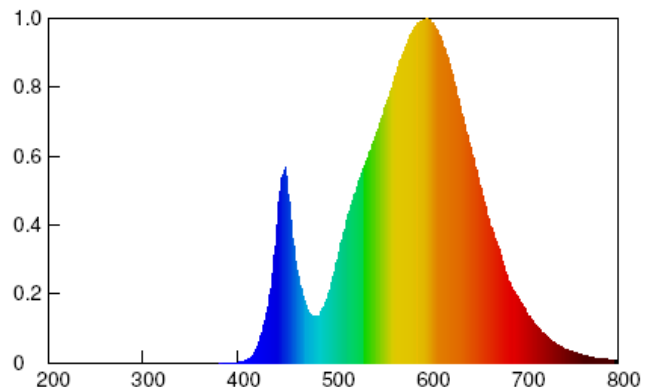
Electrical And Optical Characteristics(光電特性):

Item		Symbol	Min.	Typ.	Max.	Unit
Luminous Flux	3000K CCT	Φ_v	400	500	-	lm
	6000K CCT		450	550	-	
Correlated Color Temperature	Warm White	CCT	2700	3000	3300	K
	White		5500	6000	7000	K
Color Index		%	70	-	-	Ra
Power Consumption		P _D	-	8	-	W

Spectroradiometric Parameters (光譜曲線圖) :



Spectral Distribution (nm) for 6000K



Spectral Distribution (nm) for 3000K