



Energyled

6F.,NO.542-4,Zhongzheng Rd ., Xindian Dist.,
,New Taipei City 231,Taiwan (R.O.C)
TEL : 886-2-7729-0589
FAX : 886-2-7729-1871
<http://www.energyled.com.tw>

SPECIFICATION

PART NO. : E-GL117001-xK-xxW
Beam Light



IP65

Approved by

Checked by

Prepared by

Gary

-

Tony



MODIFY RECORD

TAKE EFFECT DATE	MODIFY ISSUES	REMARKS



Part Number Information (型號資訊):

E-GL117001 - xK - xxW

3: 3000K CCT

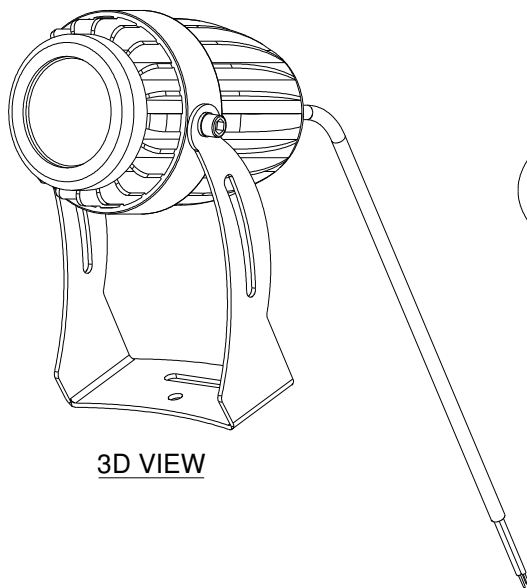
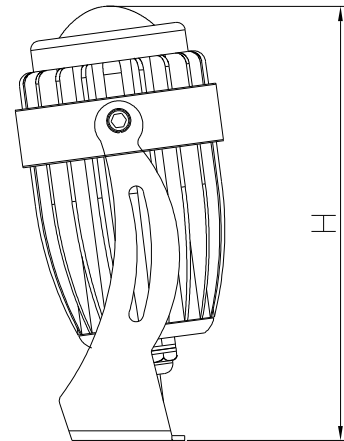
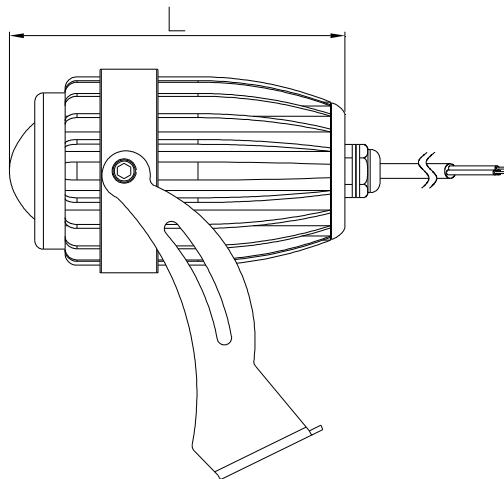
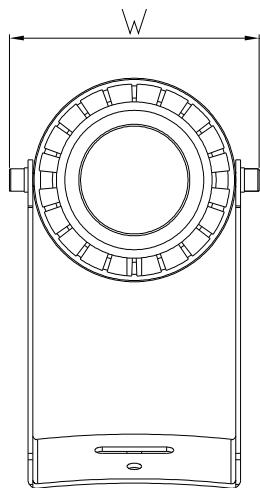
6: 6000K CCT

05: 5W

10: 10W

15: 15W

Dimensions(尺寸):



3D VIEW

unit: mm

	W	L	H
5W	85	100	115
10W	100	145	160
15W	110	110	170

1. All dimensions are in millimeters.
2. Tolerance is ± 3 mm unless otherwise noted.



Absolute Maximum Ratings at Ta=25 °C (限制值範圍於 Ta 25°C)

Parameter	Symbol	Rating	Unit
Input Voltage Range	Vac	100 - 240	V
Operating Temperature Range	Topr.	-30 to +50	°C
Storage Temperature Range	Tstg.	-40 to +60	°C

Electrical And Optical Characteristics(光電特性):

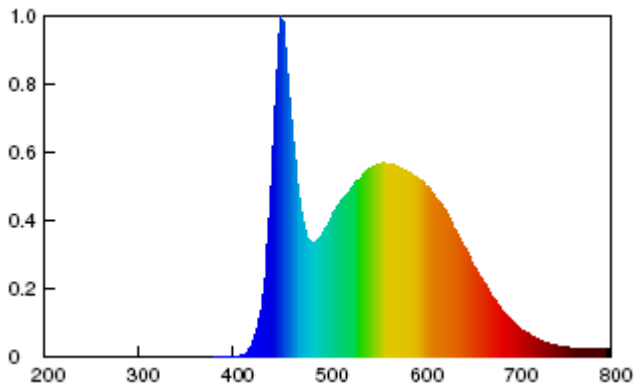
E-GL117001-xK-05W		Symbol	Condition	Min.	Typ.	Max.	Unit
Luminous Flux	3000K CCT	Φ_v	220 VAC	300	350	-	lm
	6000K CCT			350	400	-	
Correlated Color Temperature	Warm White	CCT		2700	3000	3300	K
	White			5500	6000	7000	
Color Index		%		70	-	-	Ra
Viewing Angle		$\Delta\theta$		--	5°	--	Deg
Power Consumption		P _D		-	5	-	W

E-GL117001-xK-10W		Symbol	Condition	Min.	Typ.	Max.	Unit
Luminous Flux	3000K CCT	Φ_v	220 VAC	600	700	-	lm
	6000K CCT			700	800	-	
Correlated Color Temperature	Warm White	CCT		2700	3000	3300	K
	White			5500	6000	7000	
Color Index		%		70	-	-	Ra
Viewing Angle		$\Delta\theta$		--	5°	--	Deg
Power Consumption		P _D		-	10	-	W

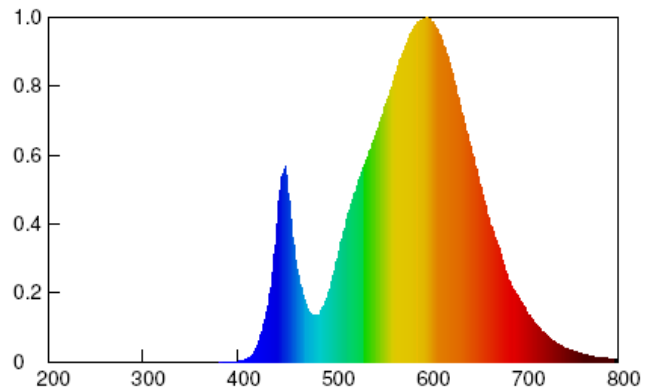
E-GL117001-xK-15W		Symbol	Condition	Min.	Typ.	Max.	Unit
Luminous Flux	3000K CCT	Φ_v	220 VAC	900	1050	-	lm
	6000K CCT			1050	1200	-	
Correlated Color Temperature	Warm White	CCT		2700	3000	3300	K
	White			5500	6000	7000	
Color Index		%		70	-	-	Ra
Viewing Angle		$\Delta\theta$		--	5°	--	Deg
Power Consumption		P _D		-	15	-	W



Spectroradiometric Parameters (光譜曲線圖) :



Spectral Distribution (nm) for 6000K



Spectral Distribution (nm) for 3000K