



**EnergyLED**

6F.,NO.542-4,Zhongzheng Rd ., Xindian Dist.,  
,New Taipei City 231,Taiwan (R.O.C)  
TEL : 886-2-7729-0589  
FAX : 886-2-7729-1871  
<http://www.energyled.com.tw>

# SPECIFICATION

*PART NO. : LWSSTH12B073*

**LED PANEL LIGHT**

**LED 平板燈**



Approved by

Checked by

Prepared by

*Yang*

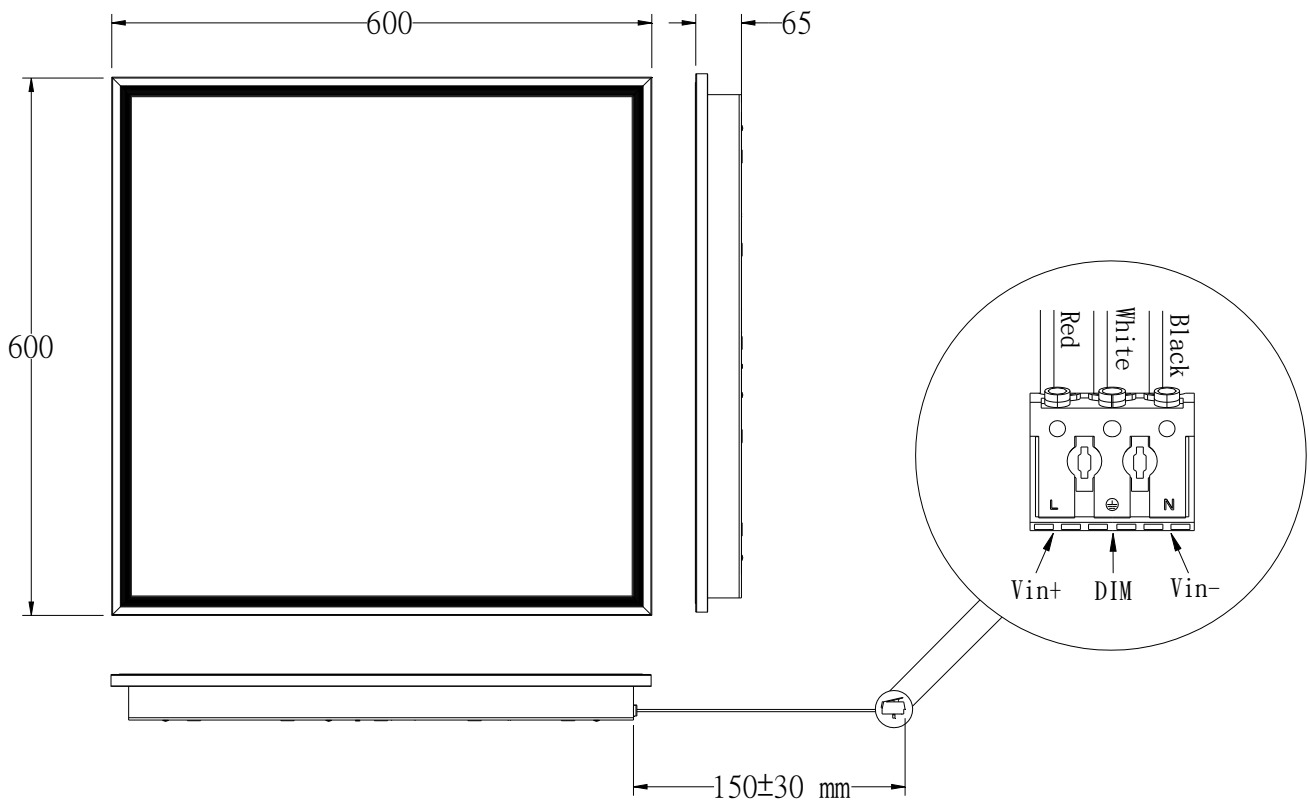
*Mark*

*Sean*





Dimensions(尺寸):



1. All dimensions are in millimeters.(所有標示尺寸之單位為毫米)
2. Tolerance is  $\pm 2$ mm unless otherwise noted.(未標示尺寸之公差值,均為 $\pm 2$  毫米)

**Absolute Maximum Ratings(最大值標示):**

Parameter	Symbol	Rating	Unit
Input Voltage Range(輸入電壓範圍)	Vdc	360 - 400	V
Operating Temperature Range(操作溫度範圍)	Topr.	-5 to +40	°C
Storage Temperature Range(儲存溫度範圍)	Tstg.	-20 to +60	°C

**Description(相關型號內容說明)**

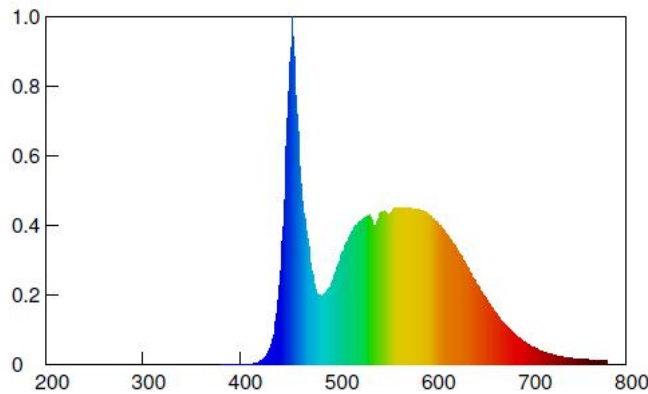
Part No.(型號)	Emitting Color(發光顏色)	CCT(色溫)
LWSSTH12B073	Day White	4000K

**Electrical and Optical Characteristics: (光電特性表)**

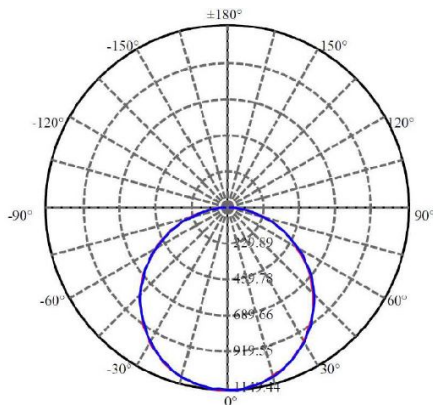
Item	Symbol	Condition	Min.	Typ.	Max.	Unit
Luminaire Efficacy(發光效率)	$\eta$	380 VDC	--	150	-	lm/w
Luminous Flux(光通量)	$\Phi_v$		4000	5000	-	lm
Correlated Color Temperature(色溫)	CCT		3700	4000	4300	K
Color Index (演色性指數)	%		80	-	-	Ra
Viewing Angle (發光角度)	$\Delta\theta$		-	110°	-	Deg
Power Consumption (消耗功率)	P <sub>D</sub>				33.0	



Spectroradiometric Parameters (光譜曲線圖) :

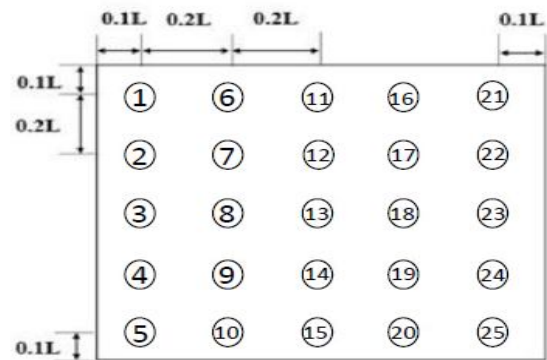


Light Distribution Curve(發光角度圖)

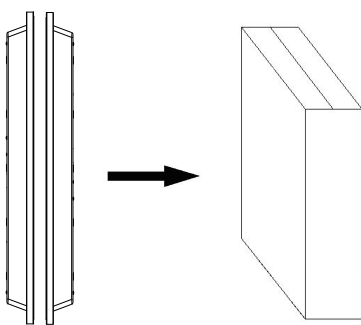


Luminance uniformity(輝度均度)

$$\frac{\text{MIN cd/m}^2}{\text{AVG cd/m}^2} \times 100\%$$



Encased Type & label information (包裝與標籤內容):



本體標籤

外箱標籤

Item P/N.	Quantity	L(mm)	W(mm)	H(mm)	N.W(Kg)	G.W(Kg)
LWSSTH12B073	2 PCS	636	135	642	4.7	5.1