



EnergyLED

6F.,NO.542-4,Zhongzheng Rd ., Xindian Dist.,
,New Taipei City 231,Taiwan (R.O.C)
TEL : 886-2-7729-0589
FAX : 886-2-7729-1871
<http://www.energyled.com>

SPECIFICATION

PART NO. : TA20CH84S1AD1

AC LED Waterproof Light Tube
(360 degree illumination)

AC 360 NEW

Approved by

Checked by

Prepared by

Yang

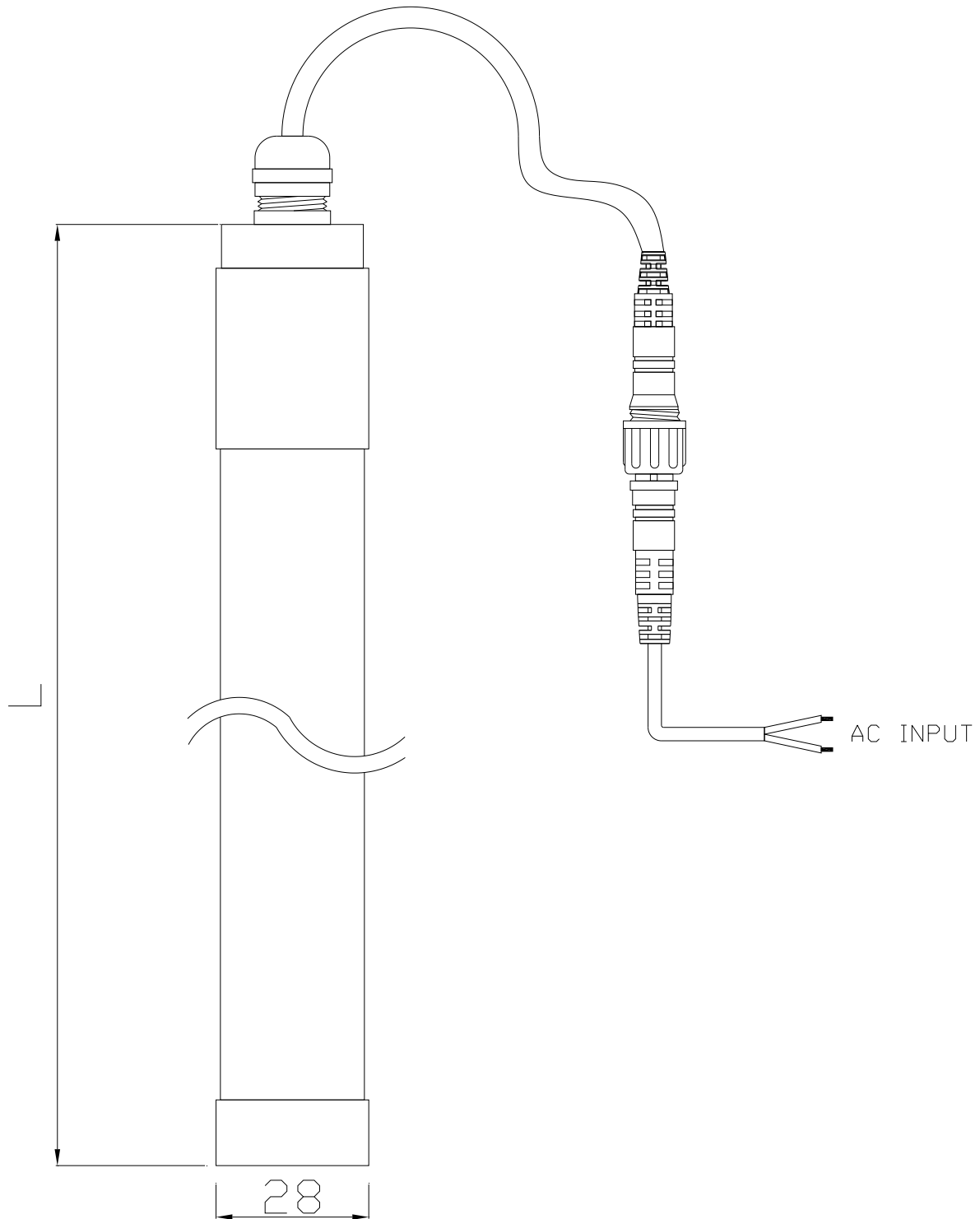
Mark

Sean



Dimensions:

PART NO.	L ± 3.0(mm)
TA20CH84S1AD1	1090mm



1. All dimensions are in millimeters.
2. Tolerance is ± 0.5 mm (± 0.02 inch) unless otherwise noted.



Absolute Maximum Ratings:

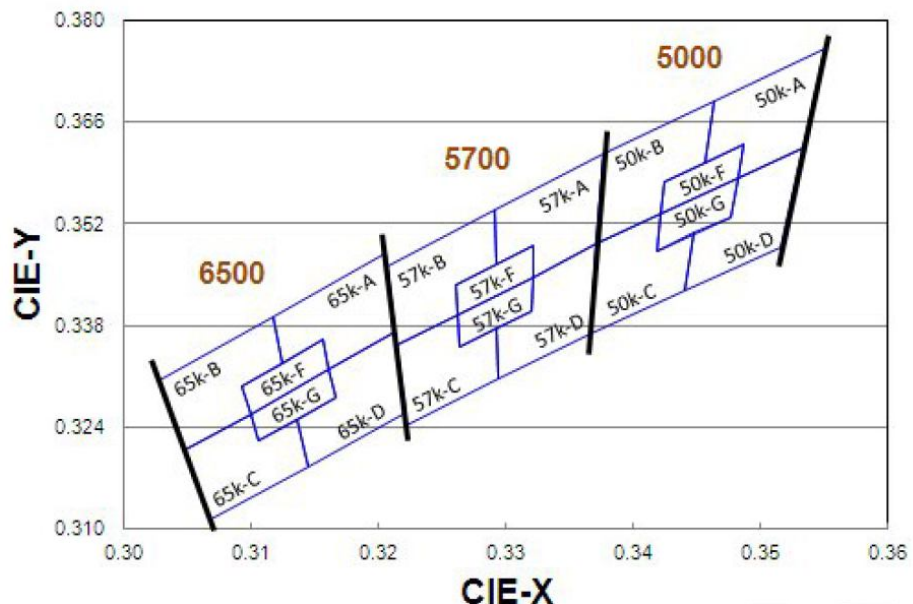
AC Input Range	AC100-240V / 0.2A
PF	≥0.9
Weight	310g
Ra (CRI)	>80
Operating Temperature Range	-30 ~ +45°C
Storage Temperature Range	-40 ~ +65°C

Electrical And Optical Characteristics:

PART NO.	Correlated Color Temperature (K)	Condition (A)	Luminous Flux (lm)		Power Consumption (W)		
			min	typ	min	typ	max
TA20CH84S1AD1	6500K±5%	0.2A (AC220V)	2400	-	18	20	22

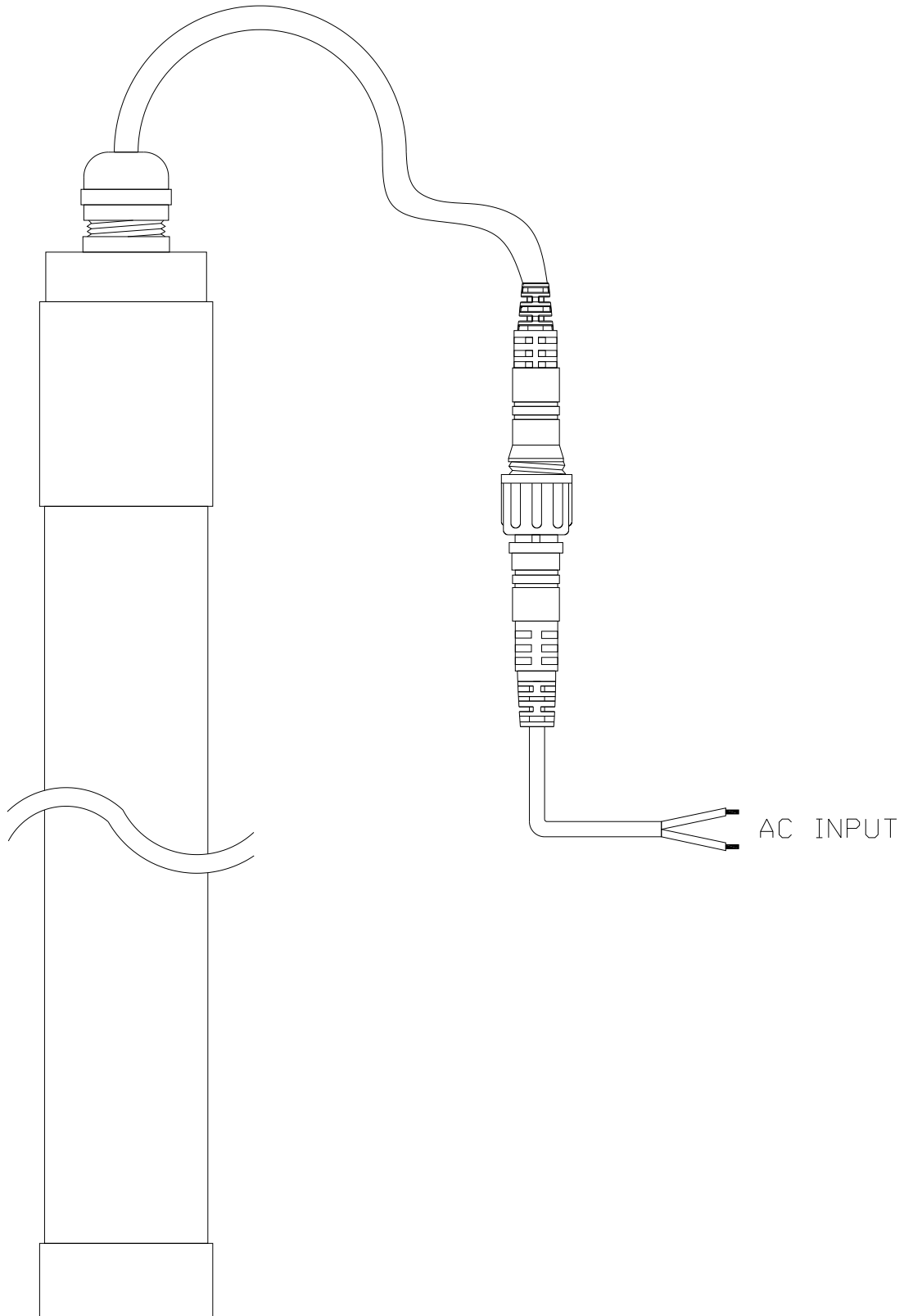
Chromaticity Coordinates Specifications for Bin Grading (CCT 6500K)

The C.I.E. 1931 Chromaticity Diagram



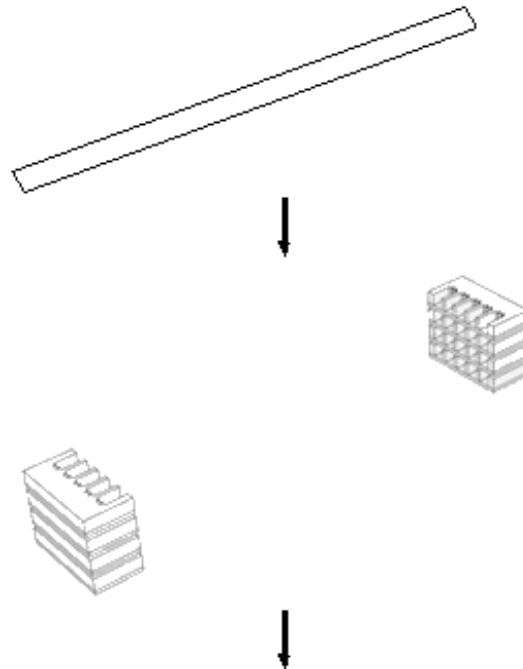


Standard accessories installation:

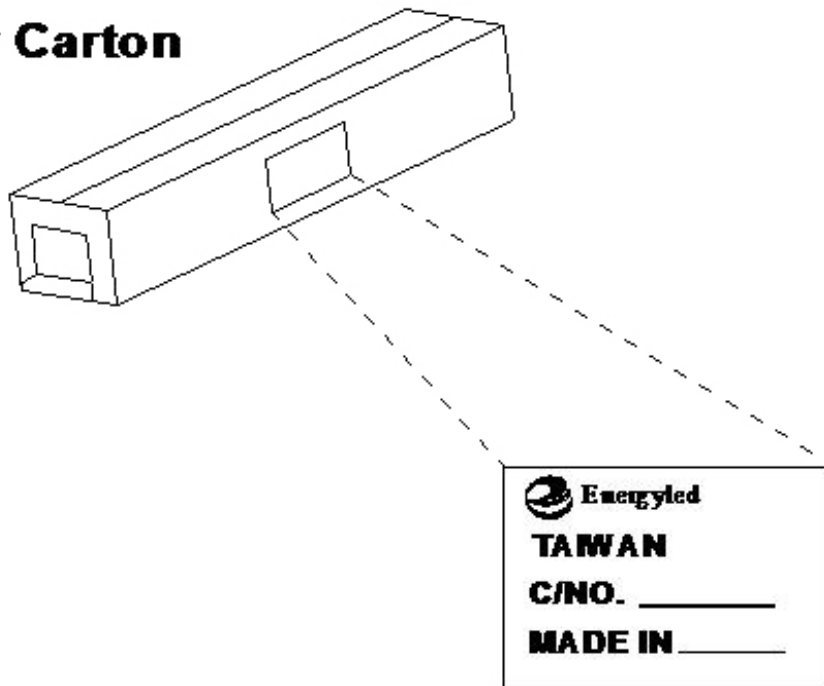




Encased Type:



Outer Carton



PART NO.	Quantity	L(mm)	W(mm)	H(mm)	N.W. (Kg)	G.W. (Kg)
TA20CH84S1AD1	30 PCS	1275	251	160	8.4	9.9

OUTTER CARTON