



EnergyLED

6F.,NO.542-4,Jhongjheng Rd , Sindian City
,Taipei County 231,Taiwan.(R.O.C)
TEL : 886-2-7729-0589
FAX : 886-2-7729-1873
<http://www.energyled.com>

SPECIFICATION

PART NO. : BAxxxGSWW0007

SMD LED Street Light Series
30~180W



Approved by

Checked by

Prepared by

Jason Lee



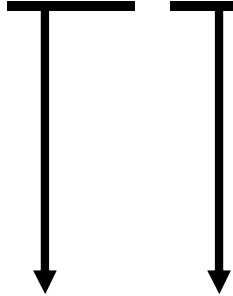
MODIFY RECORD

| TAKE EFFECT DATE | MODIFY ISSUES | REMARKS |
|------------------|--------------------|----------------|
| 2016.1.15 | 更新配光曲線圖 | 回收 01 版發行 02 版 |
| 2018.6.25 | 整燈效率修改成大於 100 Lm/W | 回收 02 版發行 03 版 |
| 2018.8.16 | 整燈效率修改成大於 110 Lm/W | 回收 03 版發行 04 版 |
| | | |
| | | |
| | | |
| | | |
| | | |
| | | |
| | | |
| | | |
| | | |
| | | |
| | | |
| | | |
| | | |
| | | |
| | | |
| | | |
| | | |
| | | |
| | | |
| | | |
| | | |
| | | |
| | | |



Part Number Information:

B A xx x GSWW0007



Power Consumption

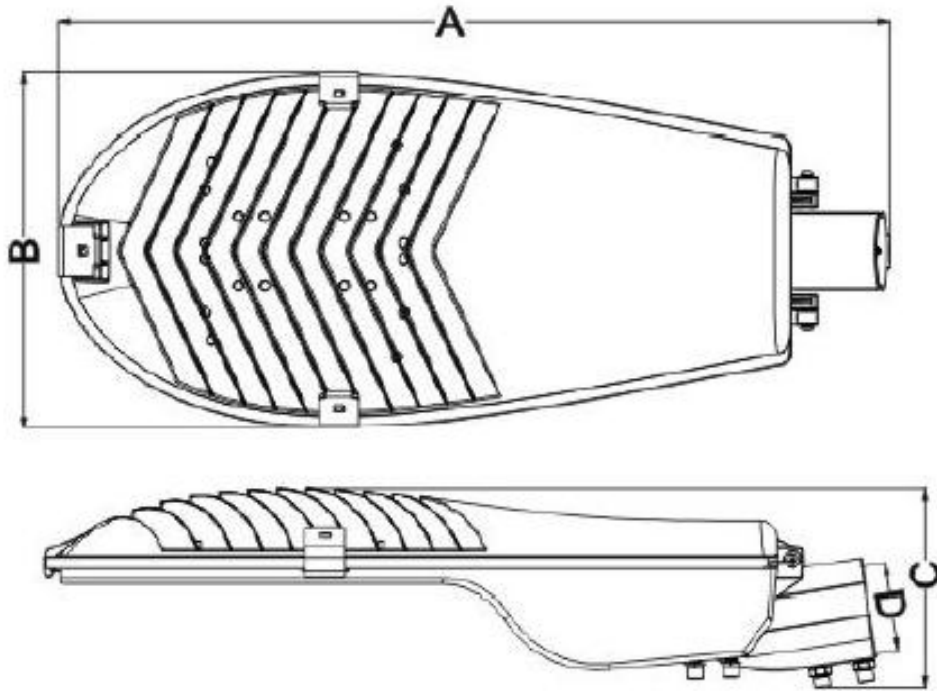
- 30 : 30W
- 40 : 40W
- 50 : 50W
- 60 : 60W
- 80 : 80W
- 0D : 100W
- 0A : 120W
- 0B : 150W
- 0E : 180W

Color

- Temperature
- P : 6500KCCT
 - C : 6000KCCT
 - L : 5700KCCT
 - D : 5000KCCT
 - T : 4500K CCT
 - N : 4000K CCT
 - K : 3500K CCT
 - W :3000K CCT
 - S : 2700K CCT



Dimensions: (30W / 40W / 50W)



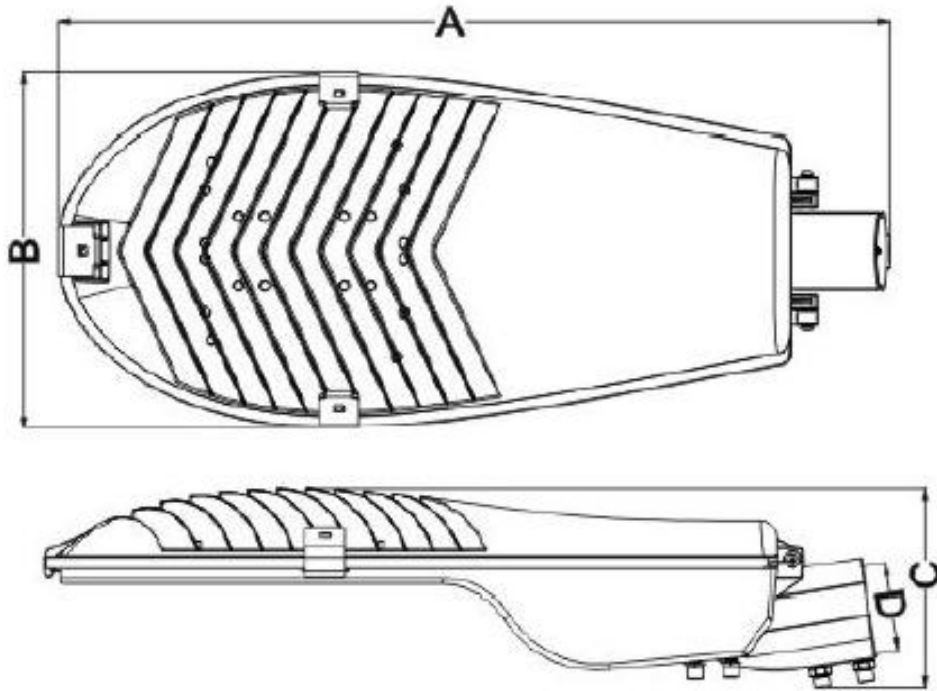
| Model | A(mm) | B(mm) | C(mm) | D(mm) |
|---------------|-------|-------|-------|-------|
| 30W/ 40W /50W | 522 | 216 | 137 | 50/65 |

Product Photo:





Dimensions: (60W / 80W)



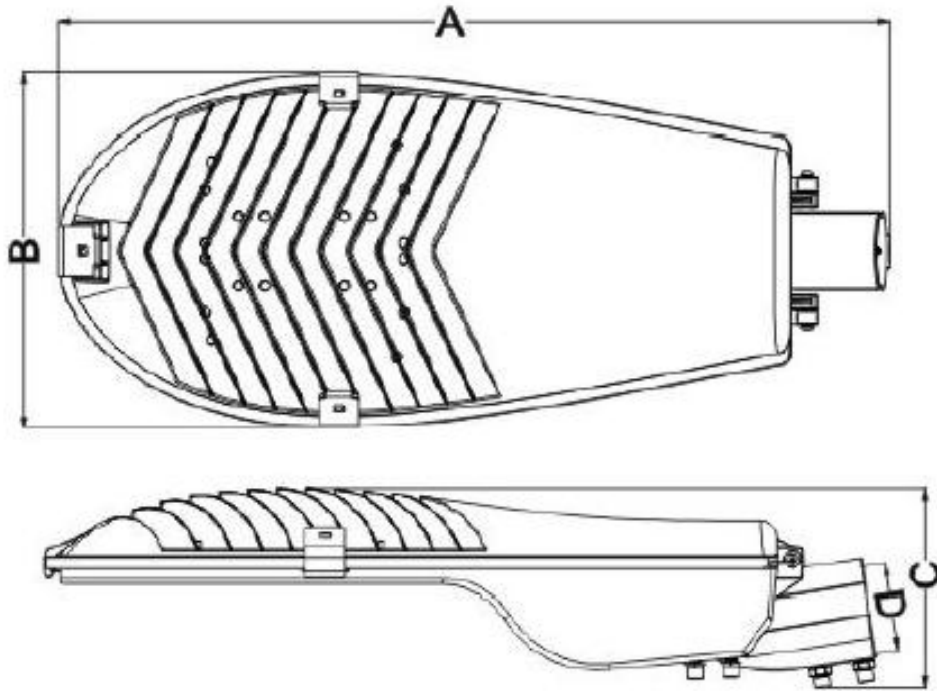
| Model | A(mm) | B(mm) | C(mm) | D(mm) |
|---------|-------|-------|-------|-------|
| 60W/80W | 629 | 268 | 148 | 50/65 |

Product Photo:





Dimensions: (100W / 120W)



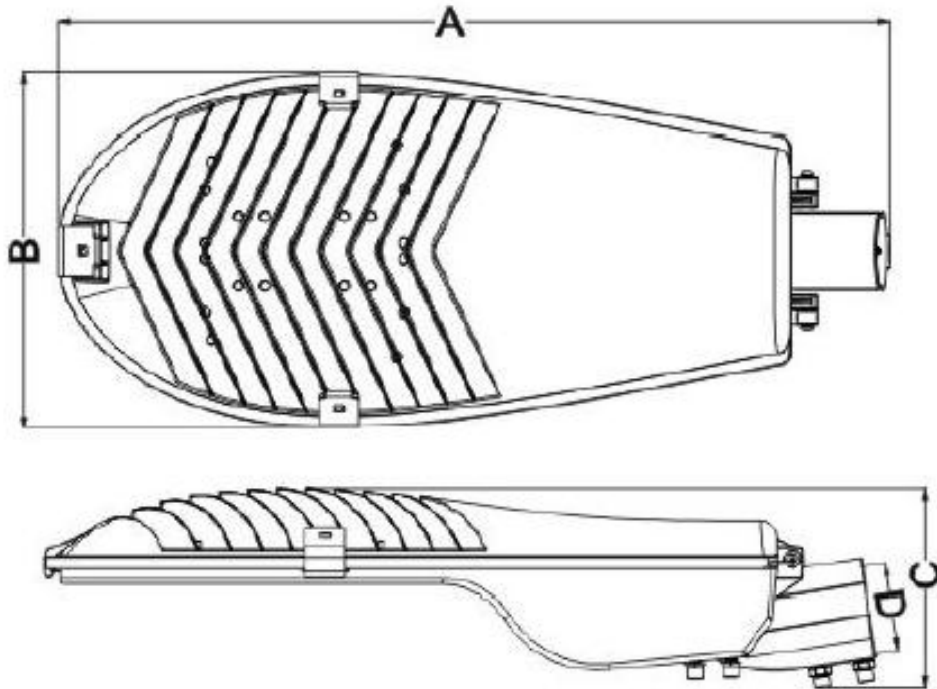
| Model | A(mm) | B(mm) | C(mm) | D(mm) |
|-----------|-------|-------|-------|-------|
| 100W/120W | 752 | 310 | 178 | 65 |

Product Photo:





Dimensions: (150W / 180W)



| Model | A(mm) | B(mm) | C(mm) | D(mm) |
|-----------|-------|-------|-------|-------|
| 150W/180W | 863 | 359 | 199 | 65 |

Product Photo:



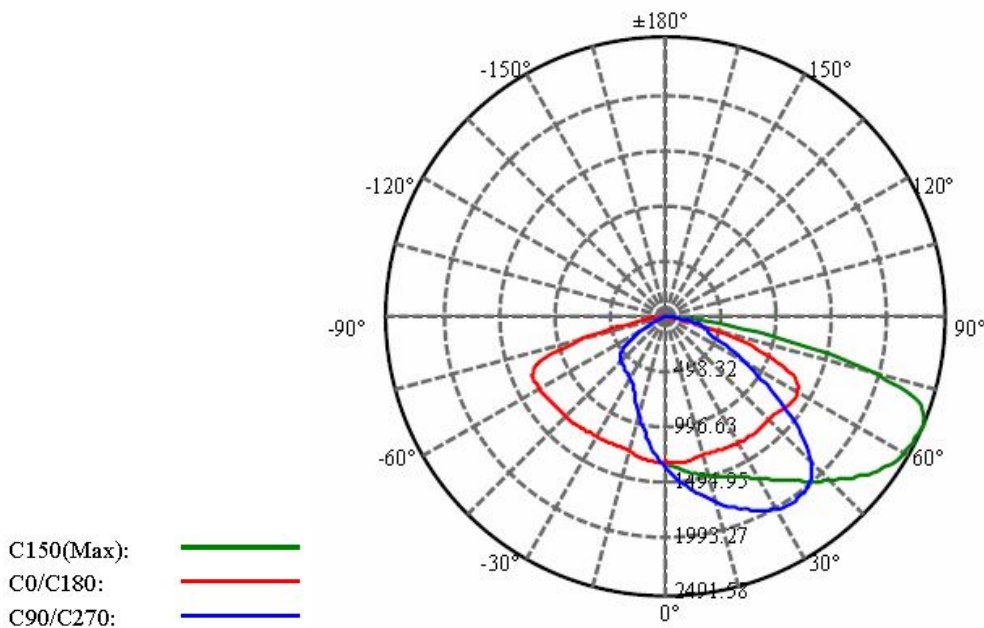
1. All dimensions are in millimeters.
2. Tolerance is ± 10 mm unless otherwise noted.



Parameters:

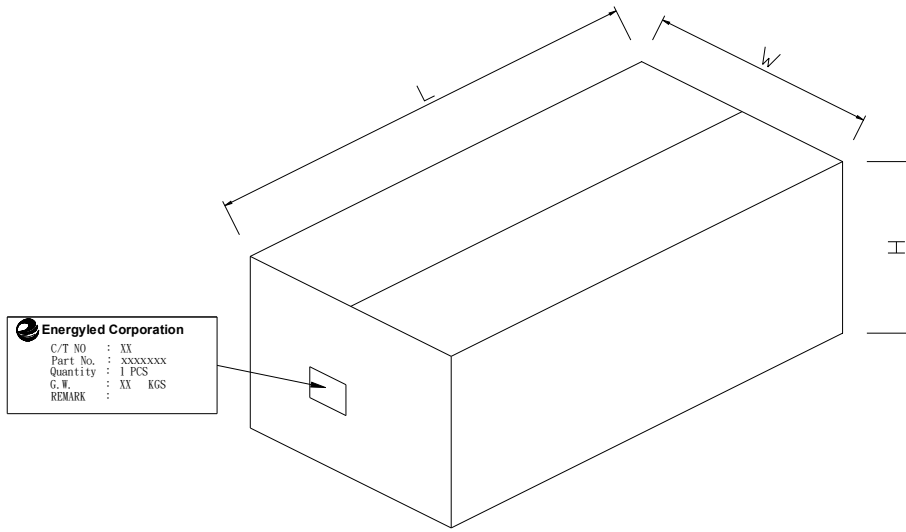
| | |
|--------------------------------|--|
| Input Voltage | AC90~305V / 50~60Hz |
| Power Factor | > 0.95 |
| Input Power | 30W/40W/50W/60W/80W/100W/120W/150W/180W |
| Luminous Flux Output | >110 Lm / W |
| Ra | >72 |
| Beam Angle | 150° * 65° |
| Operating Temperature | -40°C ~ +60°C |
| Environment Temperature | -40°C ~ +60°C |
| Life Time | >30000H |
| Waterproof Rating | IP66 |
| Product Standard | CE / ROHS |

Light Distribution Curve (Unit: cd)





Encased Type



| PART NO. | Quantity | G.W (Kg) | L(mm) | W(mm) | H(mm) |
|---------------|----------|----------|-------|-------|-------|
| BA30xGSWW0007 | 1 PCS | 3.38 | 575 | 238 | 157 |
| BA40xGSWW0007 | 1 PCS | 3.68 | 575 | 238 | 157 |
| BA50xGSWW0007 | 1 PCS | 3.68 | 575 | 238 | 157 |
| BA60xGSWW0007 | 1 PCS | 5.45 | 680 | 305 | 195 |
| BA80xGSWW0007 | 1 PCS | 5.45 | 680 | 305 | 195 |
| BA0DxGSWW0007 | 1 PCS | 8.5 | 810 | 320 | 235 |
| BA0AxGSWW0007 | 1 PCS | 8.5 | 810 | 320 | 235 |
| BA0BxGSWW0007 | 1 PCS | 10.6 | 945 | 390 | 270 |
| BA0ExGSWW0007 | 1 PCS | 10.6 | 945 | 390 | 270 |