



Energyled

Energyled Electronics Corporation.

(Zone 22) North Guiyuan Rd, West Jixi Rd,
Duanzhou District, Zhaoqing City Guandong
China

TEL : 86-0758-2877017

FAX : 86-0758-2878014

<http://www.energyled.com>

SPECIFICATION

PART NO. : BA0XXHGWW000X
Gas station lighting
Preliminary



Approved by	Checked by	Prepared by
<i>Kj</i>	<i>Yue/Mark</i>	<i>Yong</i>



Part Number Information:

BA0x xHGWW000x

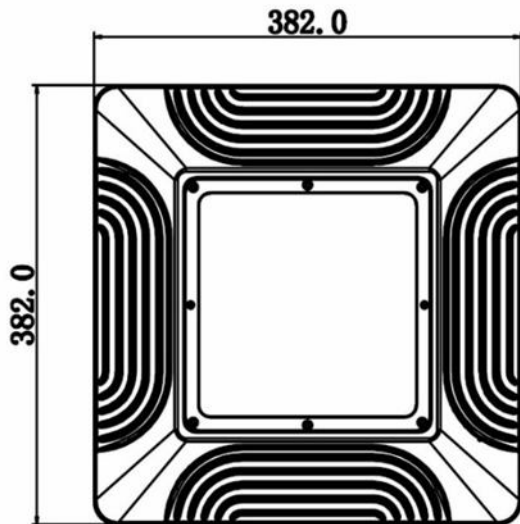
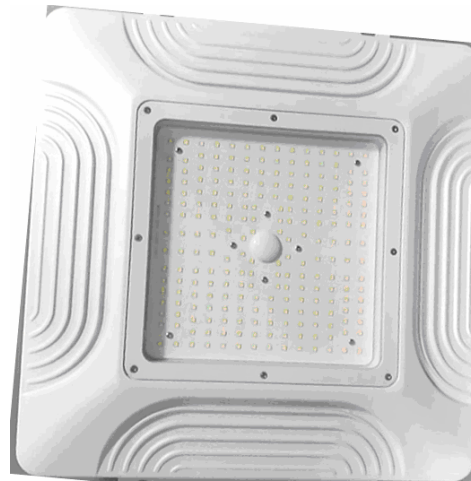
Power Consumption:
D =100W
A =120W
B=150W

CCT :
S : 2700K
W : 3000K
K : 3500K
N : 4000K
T : 4500K
D : 5000K
L : 5700K
G: 6000K
C : 6500K

Installation Type :
1=Embedded type
2=Pole type
3=ceiling type



Assembly drawing



- 1.All dimensions are in millimeters
- 2.Tolerance is ± 10 mm unless otherwise noted



Absolute Maximum Ratings at Ta=25 °C

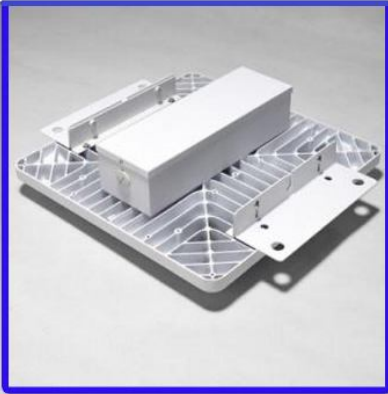
Parameter	Symbol	Rating	Unit
Operating Temperature Range	Topr.	-20 to +40	°C
Storage Temperature Range	Tstg.	-20 to +60	°C
Input Voltage	V	100~240	AC

Electrical and Optical Characteristics:

Item		Symbol	Condition	Min.	Typ.	Max.	Unit	
Correlated Color Temperature	Warm White	CCT	220 VAC	2700	3000	3300	K	
	Natural White			3500	4000	4500		
	Day White			4500	5000	5500		
	White			5100	5700	6300		
Color Index		%			80	--	--	Ra
Power Factor		%			0.9	--	--	--
Luminous Efficacy					120	--	--	Lm / W



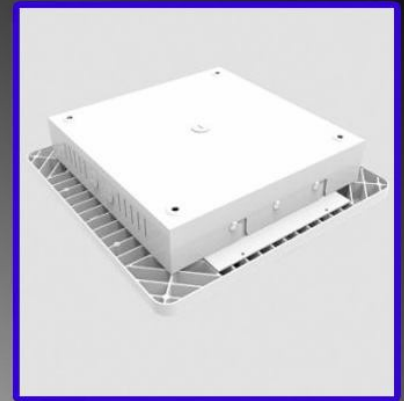
Installation Type:



1. Embedded Mounting



2. Pole type Mounting

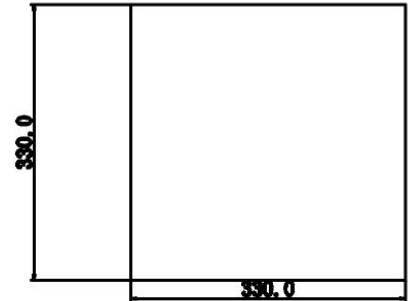


3. Ceiling Mounting

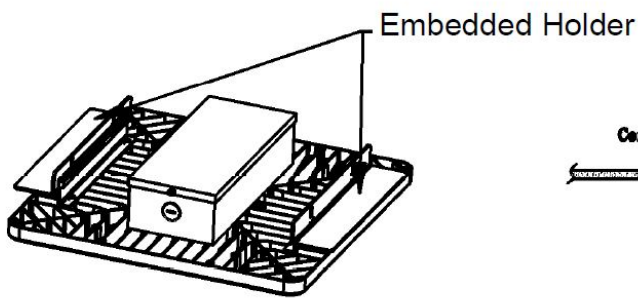


Installation Sketch Map-Embelled type

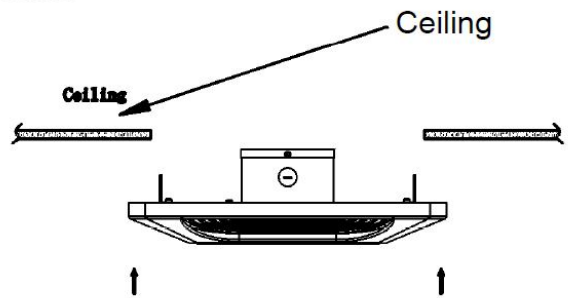
Ceiling Opening way & Dimension



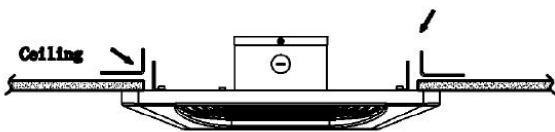
Squared Hole Opening



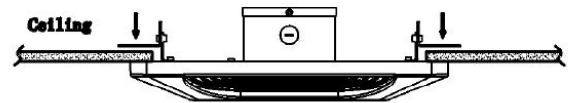
1. Take the embedded holder down



2. Put luminaires into squared hole



3. Fix the luminaires and embedded holder with screw

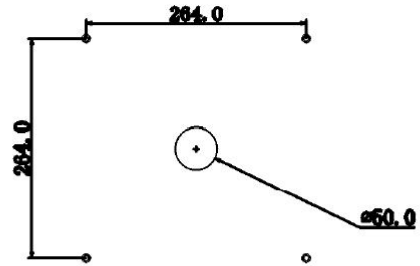


4. Installation complete

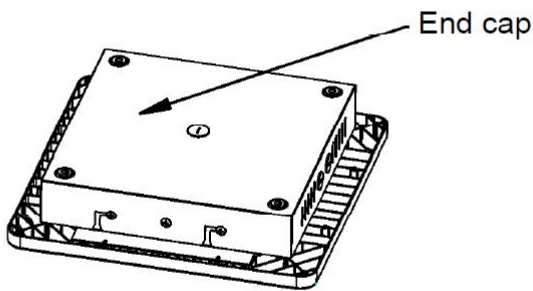


Installation Sketch Map-Ceiling type

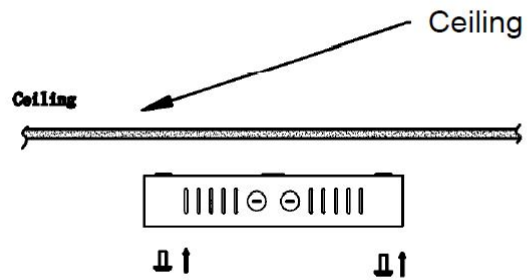
Ceiling Opening Way & Dimension



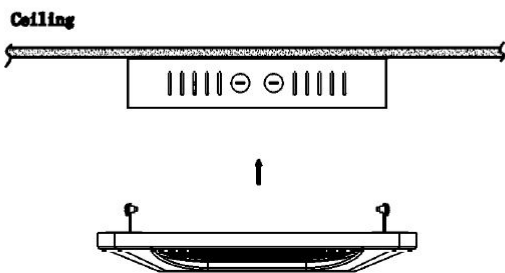
Round hole opening with screw fixation



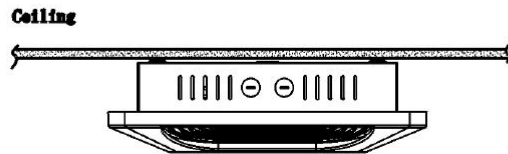
1. Take end cap down



2. Fix end cap onto the top ceiling with screw



3. Place luminaires down into end cap

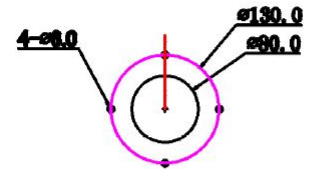


4. Installation complete

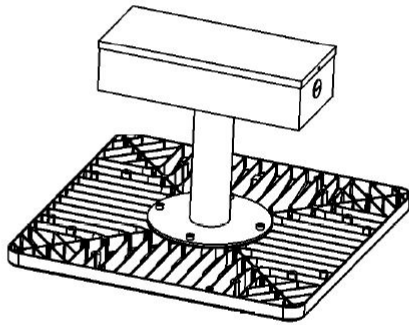


Installation Sketch Map-lever type

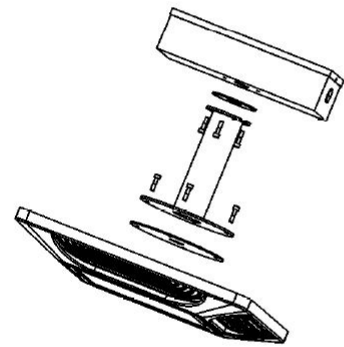
Ceiling Opening Way&Dimension



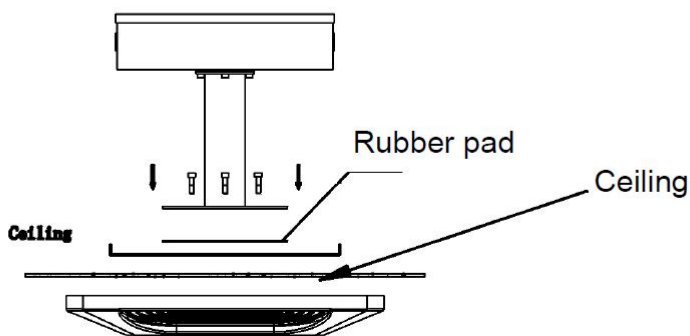
Round Hole Opening



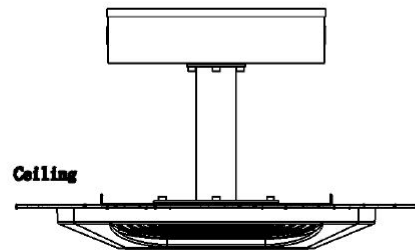
1. Overall exterior before installation



2. Take lamp post and power pack down



3. Fix luminaires across the ceiling from top to bottom with screw



4. Installation complete



Energyled

BA0XXHGWW000X

Gas station lighting

Package

