



Energyled

6F.,NO.542-4,Zhongzheng Rd ., Xindian Dist.,
,New Taipei City 231,Taiwan (R.O.C)
TEL : 886-2-7729-0589
FAX : 886-2-7729-1871
<http://www.energyled.com>

SPECIFICATION

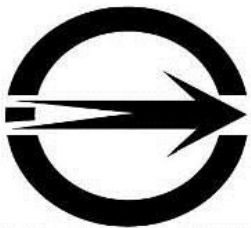
(規格書)

PART NO. : TAXXXH5xD1CD1

T5 層板燈(支架燈)

T5 Batten Lighting

通過 CNS14115/CNS14335/CSN15592 產品認證



IEC/EN
62471

Approved by

Checked by

Prepared by

Gary

-

Tony



Part Number Information(產品型號說明):

TAxxxH5xD1CD1

POWER:

(功率)

05 → 5W

10 → 10W

15 → 15W

20 → 20W

CCT :

(色溫)

S → 2700K

W → 3000K

T → 4000K

C → 5700K

SIZE :

(尺寸)

1 → 1ft / 300mm

2 → 2ft / 570mm

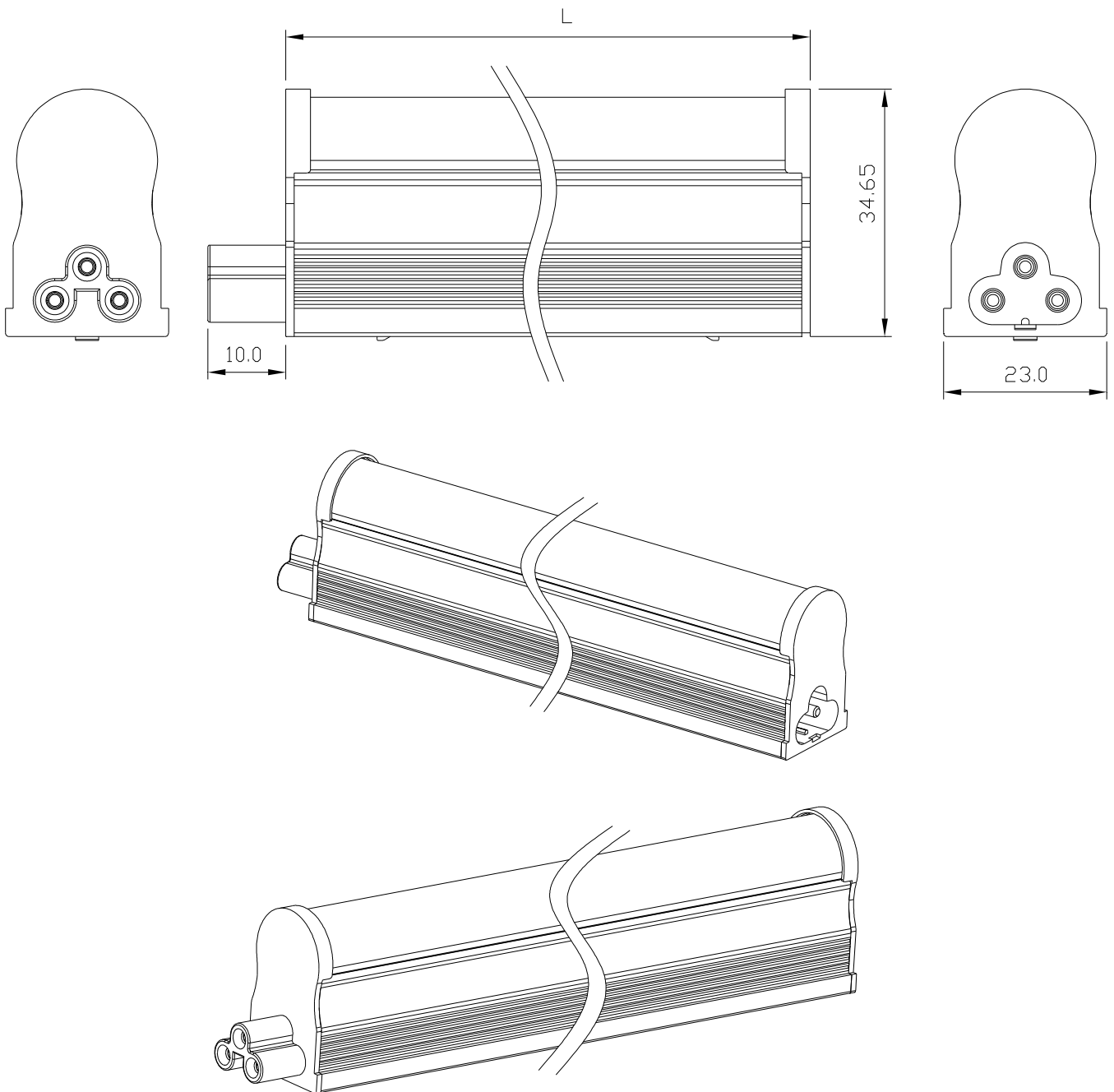
3 → 3ft / 870mm

4 → 4ft / 1170mm



Dimensions(尺寸):

PART NO(型號).	L ± 3.0(mm)
TA05xH51D1CD1	300mm
TA10xH52D1CD1	570mm
TA15xH53D1CD1	870mm
TA20xH54D1CD1	1170mm



1. All dimensions are in millimeters.(所有尺寸採用毫米規格)
2. Tolerance is ±1.0 mm unless otherwise noted.(未標註之尺寸公差值為±1.0 毫米)

**Energyled**

TAxxxH5xD1CD1

LED T5 層板燈(支架燈)
LED T5 Batten Lighting**Absolute Maximum Ratings(最大標示值):**

Input Range/Frequency (輸入電壓範圍)	AC100-240V /50~60Hz
Power Factor (功率因數)	≥ 0.9
CRI(演色性)	>80
Operating Temperature Range(操作溫度範圍)	-20 ~ +50°C
Storage Temperature Range(儲存溫度範圍)	-30 ~ +65°C

Electrical And Optical Characteristics(光電特性表):

PART NO. (型號)	Correlated Color Temperature (K) (色溫值)	Condition (V) (測試條件)	Luminous Flux (lm) (光通量)		Power Consumption (W) (消耗功率)		
			min	typ	min	typ	max
TA05CH51D1CD1	5700K +400K -300K	AC220V (60Hz)	400	450	4	5	6
TA10CH52D1CD1			800	900	9	10	11
TA15CH53D1CD1			1200	1350	13.5	15	16.5
TA20CH54D1CD1			1600	1800	18	20	22

PART NO. (型號)	Correlated Color Temperature (K) (色溫值)	Condition (V) (測試條件)	Luminous Flux (lm) (光通量)		Power Consumption (W) (消耗功率)		
			min	typ	min	typ	max
TA05TH51D1CD1	4000K ±300K	AC220V (60Hz)	400	450	4	5	6
TA10TH52D1CD1			800	900	9	10	11
TA15TH53D1CD1			1200	1350	13.5	15	16.5
TA20TH54D1CD1			1600	1800	18	20	22

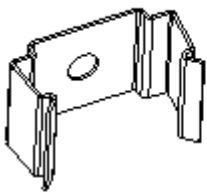
**Energyled**

TAxxxH5xD1CD1

LED T5 層板燈(支架燈)
LED T5 Batten Lighting

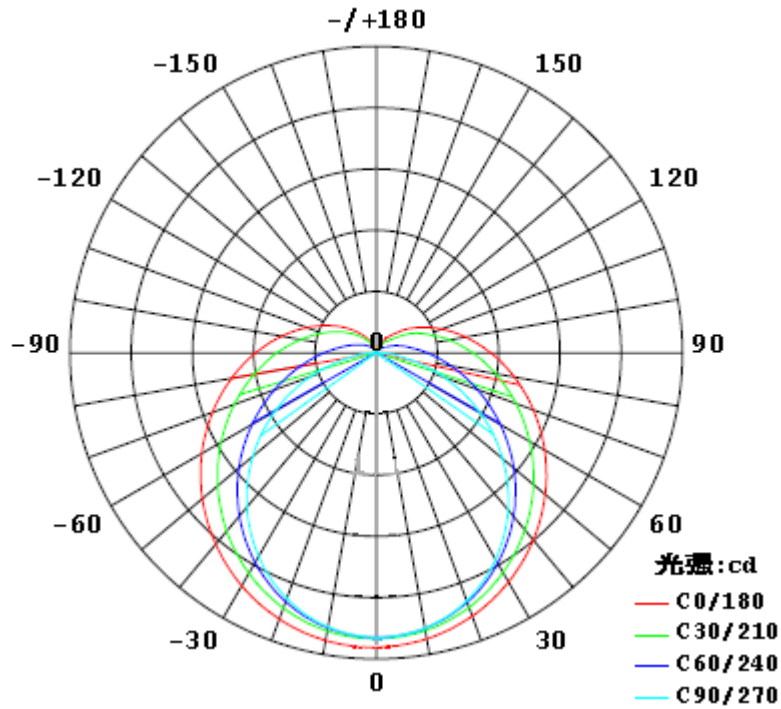
PART NO. (型號)	Correlated Color Temperature (K) (色溫值)	Condition (V) (測試條件)	Luminous Flux (lm) (光通量)		Power Consumption (W) (消耗功率)		
			min	typ	min	typ	max
TA05WH51D1CD1	3000K ±200K	AC220V (60Hz)	350	400	4	5	6
TA10WH52D1CD1			700	800	9	10	11
TA15WH53D1CD1			1050	1200	13.5	15	16.5
TA20WH54D1CD1			1400	1600	18	20	22

PART NO. (型號)	Correlated Color Temperature (K) (色溫值)	Condition (V) (測試條件)	Luminous Flux (lm) (光通量)		Power Consumption (W) (消耗功率)		
			min	typ	min	typ	max
TA05SH51D1CD1	2700K ±150K	AC220V (60Hz)	350	400	4	5	6
TA10SH52D1CD1			700	800	9	10	11
TA15SH53D1CD1			1050	1200	13.5	15	16.5
TA20SH54D1CD1			1400	1600	18	20	22

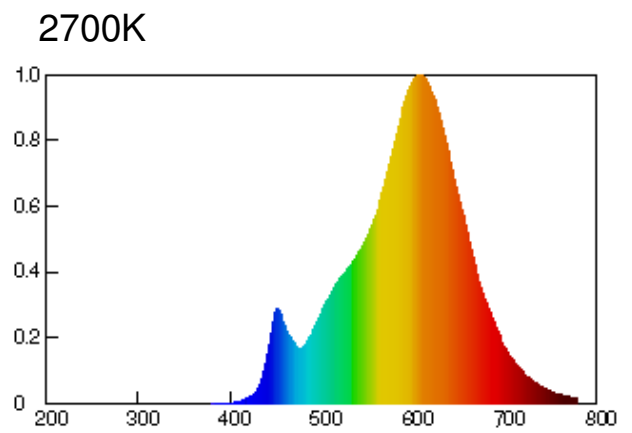
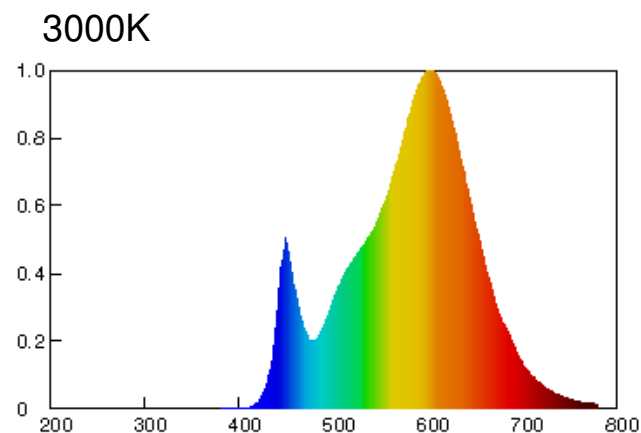
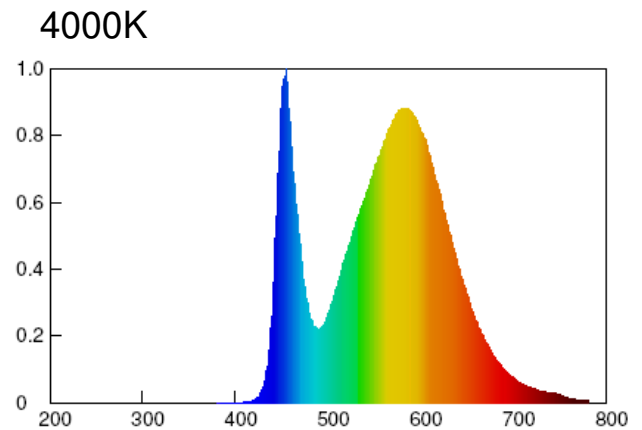
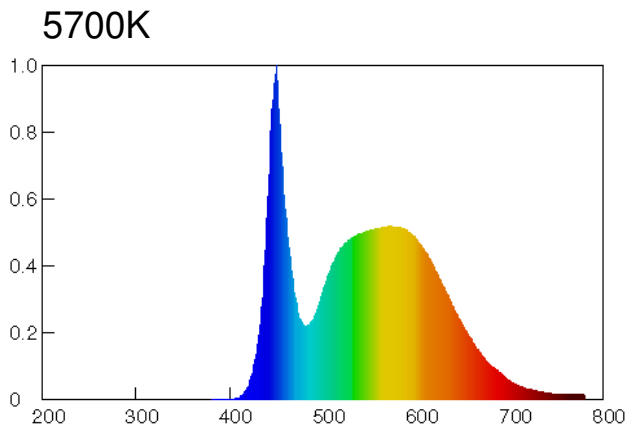
Standard accessories(標準配件):Clip x2
(扣夾 2個)Screw x2 PCS
(螺絲 2顆)Connector x 1PCS
(公母頭對接線 1條)*** Can be connected up to 8 sets. (最大串接數量 8 支)**



Radiation Diagram (配光曲線圖):

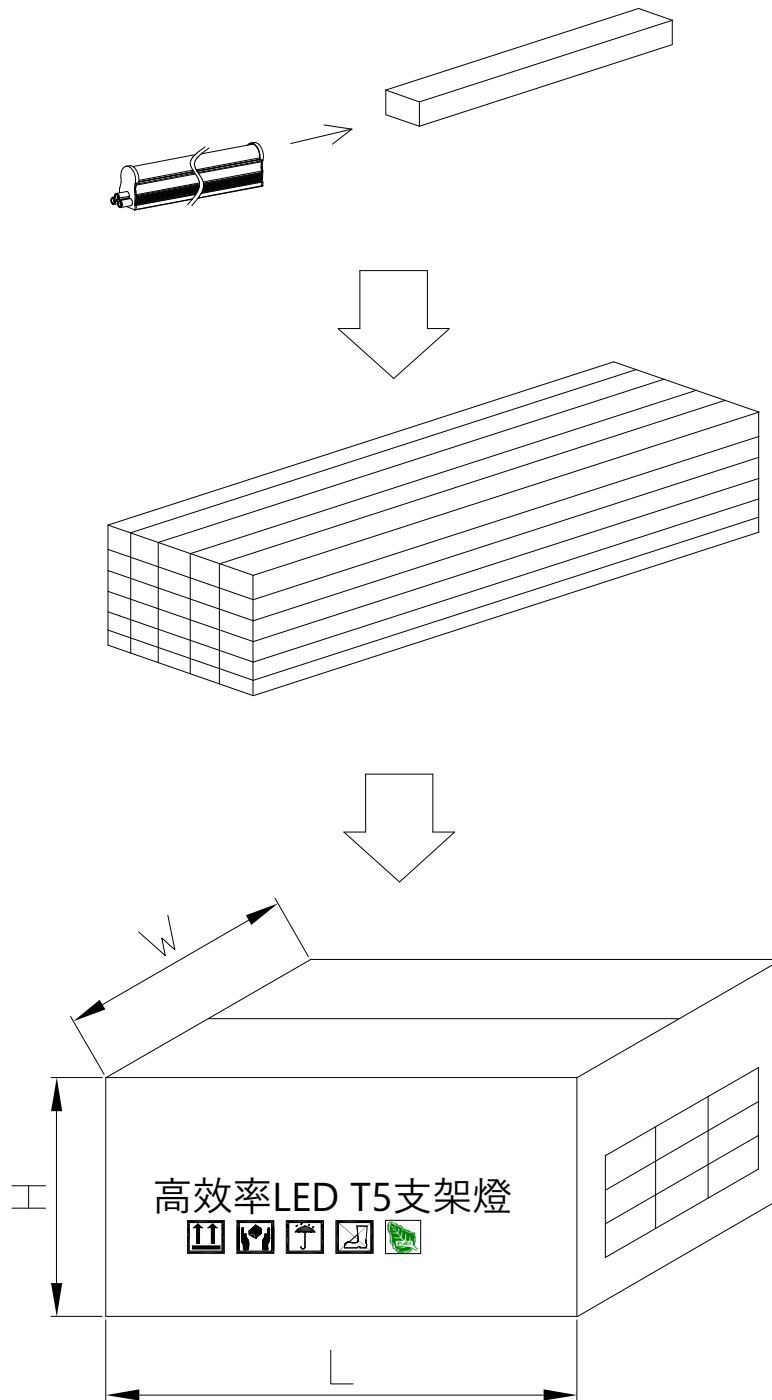


Spectral Distribution (頻譜圖):





Encased Type (包裝方式):



PART NO. (型號)	Quantity (數量)	L(mm) (長度)	W(mm) (寬度)	H(mm) (高度)
TA05xH51D1CD1	30 PCS	428	203	190
TA10xH52D1CD1	30 PCS	685	203	190
TA15xH53D1CD1	30 PCS	985	203	190
TA20xH54D1CD1	30 PCS	1285	203	190

OUTTER CARTON (外紙箱)