



LEDTECH ELECTRONICS CORP.

NANYA ROAD, MUGANG ZHAOQING
CITY GUANGDONG CHINA.

TEL: 86-758-2875541, 2870651, 2877464, 2876185, 2877017

FAX: 86-758-2878014

[Http://www.ledtech.com.tw](http://www.ledtech.com.tw)



Energyled

Energyled Corporation.

SPECIFICATION

PART NO. : BA13XHAWW0001

High Power LED Spot Light



Approved by

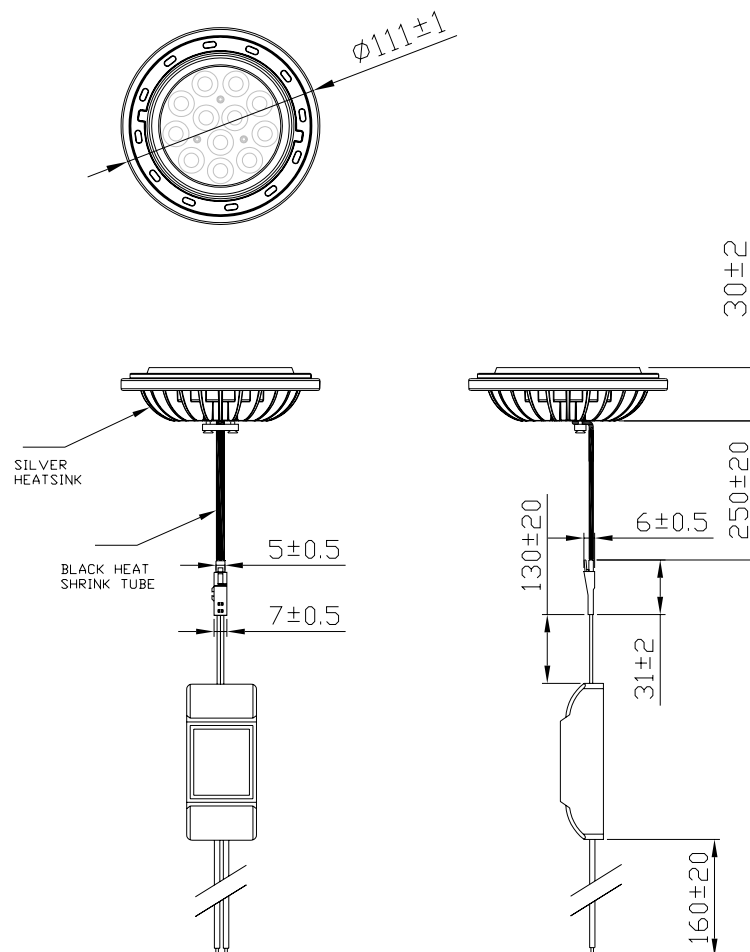
Checked by

Prepared by

Kj

Yue/Mark

Yong

Assembly drawing:**Notes:**

1. All dimensions are in millimeters
2. Tolerance is ± 0.5 mm unless otherwise noted
3. AC input lead wire: UL3266 "N" Brown/ "L" Blue 20AWG,
DC output lead wire: UL3266 "+"Red/ "-"Black 22AWG
4. Constant Current Power: Input 100-240VAC Output 28-42VDC/ 320mA



BA13XHAWW0001

LED Spot Light

Description

Part No.	Color	CCT	Operation Voltage
BA13SHAWW0001	Warm White	2700 ±270 K	100 ~ 240VAC
BA13THAWW0001	Warm White	4000 ±400 K	100 ~ 240VAC
BA13CHAWW0001	Neutral White	5700 ±500 K	100 ~ 240VAC

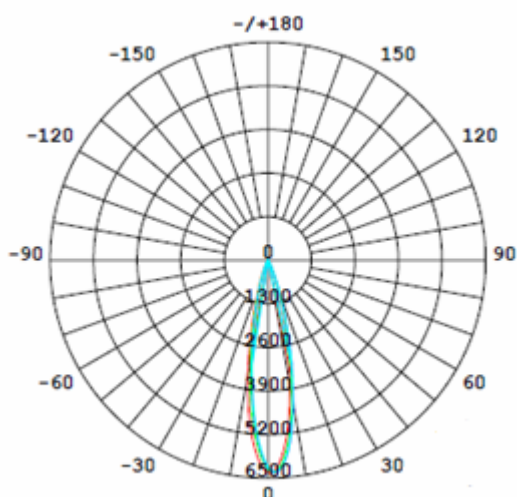
Absolute Maximum Ratings at Ta=25 °C

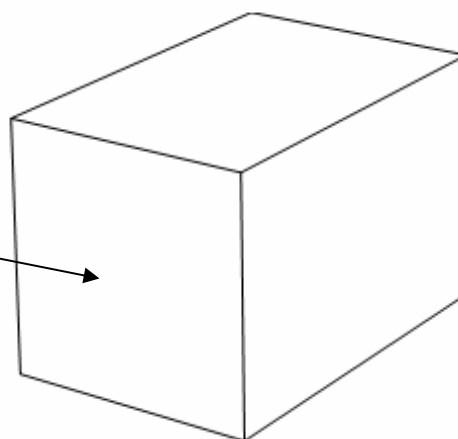
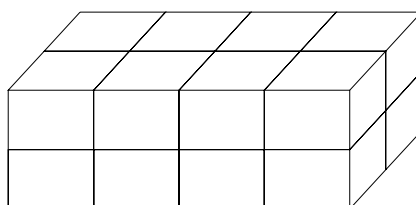
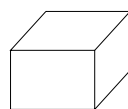
Parameter	Symbol	Rating	Unit
Power Dissipation	PD	15.4	W
Viewing Angle	2θ 1/2	24	deg
Operating Temperature Range	Topr.	-20 to +40	°C
Storage Temperature Range	Tstg.	-20 to +60	°C

Electrical and Optical Characteristics:

Part No.	Condition	Flux (Lm)		Efficacy (Lm/W)	CRI	Power (W)	
		Min.	Typ.			Min.	Typ.
BA13SHAWW0001	220V AC	1008	1120	80	80	14.0	15.4
BA13THAWW0001	220V AC	1109	1232	88	80	14.0	15.4
BA13CHAWW0001	220V AC	1109	1232	88	80	14.0	15.4

Luminous Intensity Distribution Diagram



ENCASED TYPE

LED Spot Light
INPUT:100-240VAC 14W 50/60Hz
MODEL:
COLOR: Warm White/ 2700K
XXXX / XXXXK
Q'TY: 60 PCS

注意和警告

- 觸電和燒傷危險。請先關閉電源並冷卻後再進行檢查和更換。
- 請勿打開-內部沒有用戶可維修的零件。
- 如果外殼裂痕，破裂或脫落，即使能點亮，請勿使用。
- 不可在封閉裝置內使用，開放的環境能獲得更好的壽命。
- 不可將多個燈泡密閉在封閉裝置連同其他燈泡技術（例如 白熾燈，鹵素燈，節能燈，等等）。
- 適用於乾燥環境，不可直接暴露在戶外空氣或水中。