



**Energyled**

6F.,NO.542-4,Zhongzheng Rd ., Xindian Dist.,  
,New Taipei City 231,Taiwan (R.O.C)  
TEL : 886-2-7729-0589  
FAX : 886-2-7729-1871  
<http://www.energyled.com>

# SPECIFICATION

*PART NO.* : BAxxCGHWWx304

投射燈

Spot Light

Approved by

Checked by

Prepared by

**Gary**

**Tony shen**

**Jason lee**

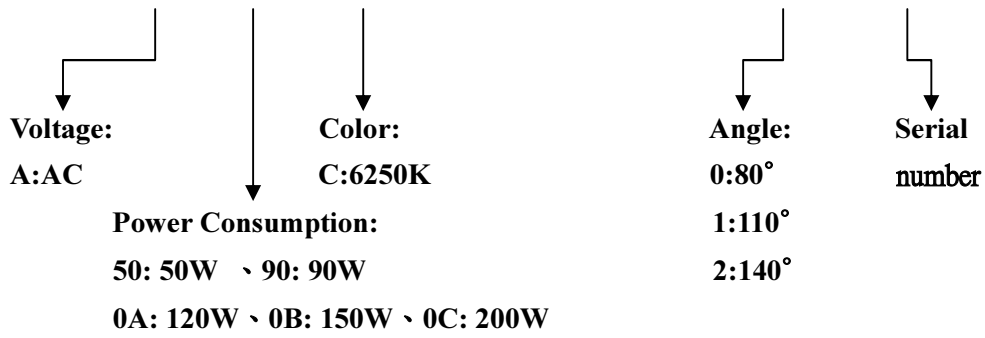
**MODIFY RECORD**

TAKE EFFECT DATE	MODIFY ISSUES	REMARKS
2014.10.27	1.品名原為三代天井燈改投射燈，原英文為 Low/High Bay Ligh 改成 Spot Light。 2.新增 140 度投射燈資料。 3.所有瓦數流明數據提升 10%。 4.新增 Power Factor 數據	回收 01 版發行 02 版
2015.7.24	1.各瓦數功率由正負 15%改成正負 10%，並增加下限值。	回收 02 版發行 03 版



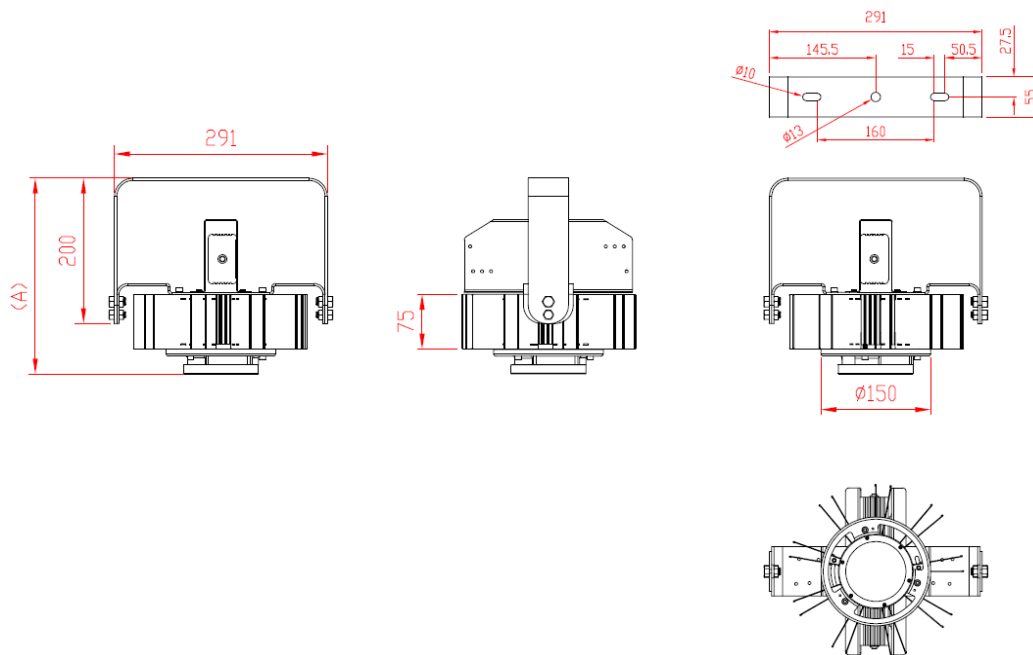
Part Number Information:

**B x xx C GHWW x3 xx**



Dimensions(尺寸):

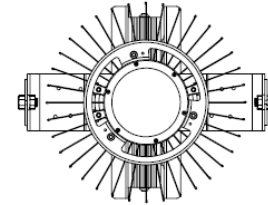
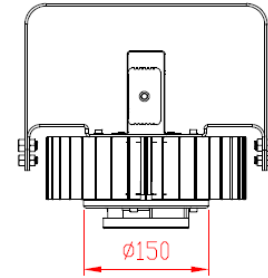
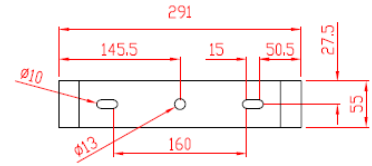
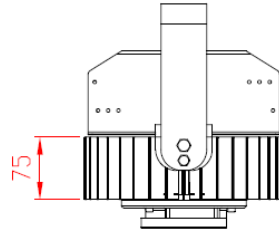
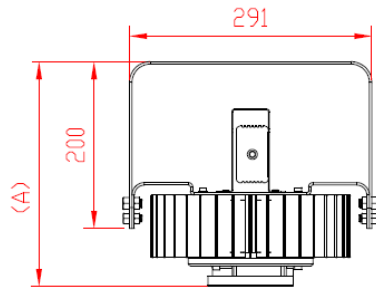
50W 、 90W:



PART NO.	(A) ± 3.0(mm)
BA50CGHWW0304	290 mm
BA50CGHWW1304	270 mm
BA50CGHWW2304	254 mm
BA90CGHWW0304	290 mm
BA90CGHWW1304	270mm
BA90CGHWW2304	254 mm



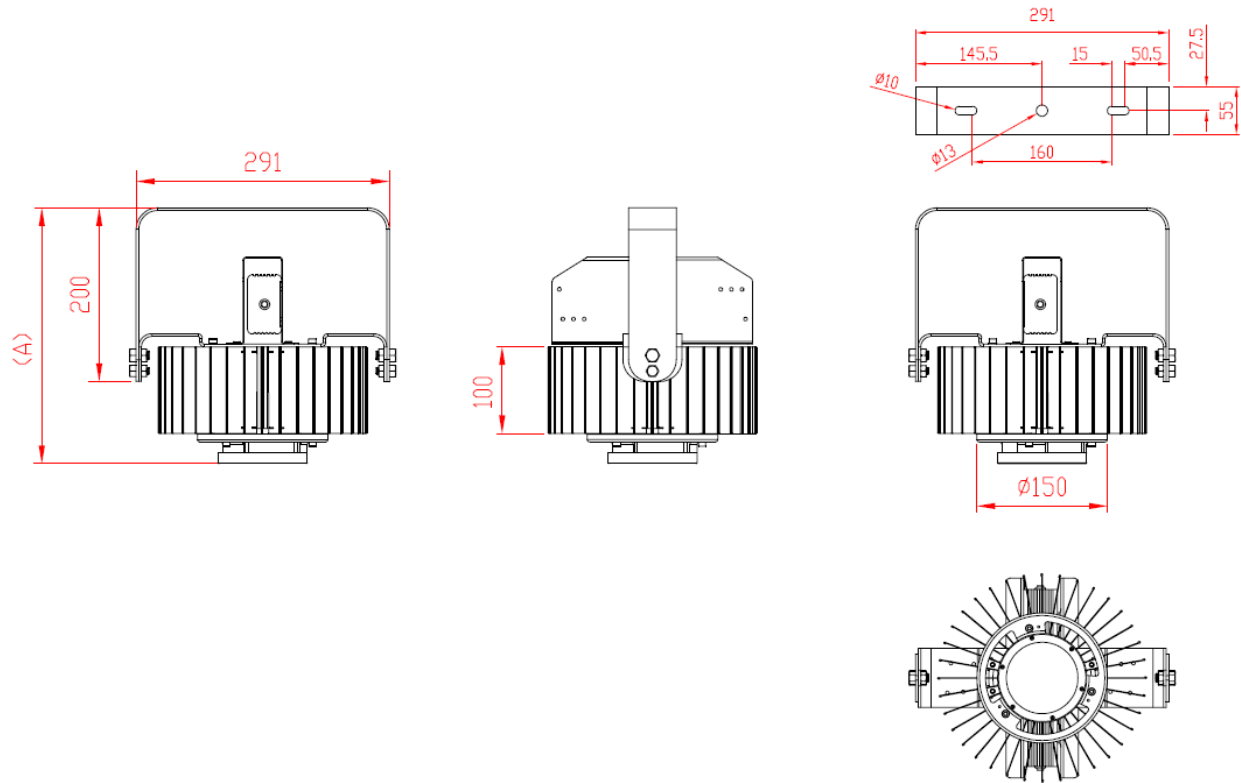
120W、150W:



PART NO.	(A) ± 3.0(mm)
BA0ACGHWW0304	290 mm
BA0ACGHWW1304	270 mm
BA0ACGHWW2304	254 mm
BA0BCGHWW0304	290 mm
BA0BCGHWW1304	270 mm
BA0BCGHWW2304	254 mm



200W:



PART NO.	(A) ± 3.0(mm)
BA0CCGHWW0304	315 mm
BA0CCGHWW1304	295 mm
BA0CCGHWW2304	279 mm

1. All dimensions are in millimeters.
2. Tolerance is ±3 mm unless otherwise noted.

Description

Part No.	Emitting Color	CCT	Operation Voltage
BAxxCGHWWx304	White	6250K	90-305 VAC
		WE、WF、WG	

**Absolute Maximum Ratings at Ta=25 °C**

Parameter	Symbol	Rating	Unit
Operating Temperature Range	Topr.	-40 to +50	°C
Storage Temperature Range	Tstg.	-40 to +60	°C
Electric Static Discharge Threshold (HBM)	ESD	6000	V
Operating Humidity ( non – condensing )	%	20~90	RH

**Electrical And Optical Characteristics(光電特性):****BA50CGHWWx304 Series**

PART NO. : BA50CGHWW0304	Symbol	Condition	Min.	Typ.	Max.	Unit
Parameter						
Luminous Flux	$\Phi_v$	90-305 VAC	4500	5400	-	lm
Correlated Color Temperature	CCT	90-305 VAC	5750	6250	6750	K
Color Index	%	90-305 VAC	70	-	-	Ra
Viewing Angle	$\Delta \theta$	90-305 VAC	--	80°	--	Deg
Illuminance @ 1M distance		90-305 VAC	7200	8500	--	Lux
Illuminance @ 4M distance		90-305 VAC	445	525	--	Lux
Illuminance @ 5M distance		90-305 VAC	305	360	--	Lux
Illuminance @ 6M distance		90-305 VAC	200	235	--	Lux
Illuminance @ 8M distance		90-305 VAC	110	130	--	Lux
Power Consumption	Pd	90-305 VAC	45	50	55	W
Power Factor		90-305 VAC	0.92	0.95	--	
Finished weight			--	4	4.5	kg



PART NO. : BA50CGHWW1304	Symbol	Condition	Min.	Typ.	Max.	Unit
Parameter						
Luminous Flux	$\Phi_v$	90-305 VAC	4700	5600	-	lm
Correlated Color Temperature	CCT	90-305 VAC	5750	6250	6750	K
Color Index	%	90-305 VAC	70	-	-	Ra
Viewing Angle	$\Delta \theta$	90-305 VAC	--	110°	--	Deg
Illuminance @ 1M distance		90-305 VAC	2290	2700	--	Lux
Illuminance @ 4M distance		90-305 VAC	240	285	--	Lux
Illuminance @ 5M distance		90-305 VAC	125	150	--	Lux
Illuminance @ 6M distance		90-305 VAC	105	125	--	Lux
Illuminance @ 8M distance		90-305 VAC	60	70	--	Lux
Power Consumption	P <sub>D</sub>	90-305 VAC	45	50	55	W
Power Factor		90-305 VAC	0.92	0.95	--	
Finished weight			--	4	4.5	kg

PART NO. : BA50CGHWW2304	Symbol	Condition	Min.	Typ.	Max.	Unit
Parameter						
Luminous Flux	$\Phi_v$	90-305 VAC	5200	6150	-	lm
Correlated Color Temperature	CCT	90-305 VAC	5750	6250	6750	K
Color Index	%	90-305 VAC	70	-	-	Ra
Viewing Angle	$\Delta \theta$	90-305 VAC	--	140°	--	Deg
Illuminance @ 1M distance		90-305 VAC	2200	2600	--	Lux
Illuminance @ 4M distance		90-305 VAC	135	160	--	Lux
Illuminance @ 5M distance		90-305 VAC	90	105	--	Lux
Illuminance @ 6M distance		90-305 VAC	60	70	--	Lux
Illuminance @ 8M distance		90-305 VAC	35	40	--	Lux
Power Consumption	P <sub>D</sub>	90-305 VAC	45	50	55	W
Power Factor		90-305 VAC	0.92	0.95	--	
Finished weight			--	4	4.5	kg

**BA90CGHWWx304 Series**

PART NO. : BA90CGHWW0304	Symbol	Condition	Min.	Typ.	Max.	Unit
Parameter						
Luminous Flux	$\Phi_v$	90-305 VAC	5900	7000	-	lm
Correlated Color Temperature	CCT	90-305 VAC	5750	6250	6750	K
Color Index	%	90-305 VAC	70	-	-	Ra
Viewing Angle	$\Delta \theta$	90-305 VAC	--	80°	--	Deg
Illuminance @ 1M distance		90-305 VAC	10200	12000	--	Lux
Illuminance @ 5M distance		90-305 VAC	400	470	--	Lux
Illuminance @ 8M distance		90-305 VAC	175	205	--	Lux
Illuminance @ 10M distance		90-305 VAC	100	120	--	Lux
Illuminance @ 12M distance		90-305 VAC	65	80	--	Lux
Power Consumption	P <sub>D</sub>	90-305 VAC	76	85	94	W
Power Factor		90-305 VAC	0.92	0.95	--	
Finished weight			--	4	4.5	kg

PART NO. : BA90CGHWW1304	Symbol	Condition	Min.	Typ.	Max.	Unit
Parameter						
Luminous Flux	$\Phi_v$	90-305 VAC	7100	8350	-	lm
Correlated Color Temperature	CCT	90-305 VAC	5750	6250	6750	K
Color Index	%	90-305 VAC	70	-	-	Ra
Viewing Angle	$\Delta \theta$	90-305 VAC	--	110°	--	Deg
Illuminance @ 1M distance		90-305 VAC	3480	4100		Lux
Illuminance @ 5M distance		90-305 VAC	210	250		Lux
Illuminance @ 8M distance		90-305 VAC	70	85		Lux
Illuminance @ 10M distance		90-305 VAC	50	60		Lux
Illuminance @ 12M distance		90-305 VAC	35	45		Lux
Power Consumption	P <sub>D</sub>	90-305 VAC	76	85	94	W
Power Factor		90-305 VAC	0.92	0.95	--	
Finished weight			--	4	4.5	kg





PART NO. : BA90CGHWW2304	Symbol	Condition	Min.	Typ.	Max.	Unit
Parameter						
Luminous Flux	$\Phi_v$	90-305 VAC	7650	9000	-	lm
Correlated Color Temperature	CCT	90-305 VAC	5750	6250	6750	K
Color Index	%	90-305 VAC	70	-	-	Ra
Viewing Angle	$\Delta \theta$	90-305 VAC	--	140°	--	Deg
Illuminance @ 1M distance		90-305 VAC	3050	3590		Lux
Illuminance @ 5M distance		90-305 VAC	120	140		Lux
Illuminance @ 8M distance		90-305 VAC	45	55		Lux
Illuminance @ 10M distance		90-305 VAC	30	35		Lux
Illuminance @ 12M distance		90-305 VAC	20	25		Lux
Power Consumption	P <sub>D</sub>	90-305 VAC	76	85	94	W
Power Factor		90-305 VAC	0.92	0.95	--	
Finished weight			--	4	4.5	kg

**BA0ACGHWWx304 Series**

PART NO. : BA0ACGHWW0304	Symbol	Condition	Min.	Typ.	Max.	Unit
Parameter						
Luminous Flux	$\Phi_v$	90-305 VAC	10300	12100	-	lm
Correlated Color Temperature	CCT	90-305 VAC	5750	6250	6750	K
Color Index	%	90-305 VAC	70	-	-	Ra
Viewing Angle	$\Delta \theta$	90-305 VAC	--	80°	--	Deg
Illuminance @ 1M distance		90-305 VAC	15300	18000	--	Lux
Illuminance @ 8M distance		90-305 VAC	260	310	--	Lux
Illuminance @ 10M distance		90-305 VAC	145	170	--	Lux
Illuminance @ 12M distance		90-305 VAC	100	120	--	Lux
Illuminance @ 15M distance		90-305 VAC	60	75	--	Lux
Power Consumption	P <sub>D</sub>	90-305 VAC	108	120	132	W
Power Factor		90-305 VAC	0.92	0.95	--	
Finished weight			--	4.5	5	kg



PART NO. : BA0ACGHWW1304						
Parameter	Symbol	Condition	Min.	Typ.	Max.	Unit
Luminous Flux	$\Phi_v$	90-305 VAC	11200	13200	-	lm
Correlated Color Temperature	CCT	90-305 VAC	5750	6250	6750	K
Color Index	%	90-305 VAC	70	-	-	Ra
Viewing Angle	$\Delta \theta$	90-305 VAC	--	110°	--	Deg
Illuminance @ 1M distance		90-305 VAC	5000	5900	--	Lux
Illuminance @ 8M distance		90-305 VAC	105	125	--	Lux
Illuminance @ 10M distance		90-305 VAC	80	95	--	Lux
Illuminance @ 12M distance		90-305 VAC	55	65	--	Lux
Illuminance @ 15M distance		90-305 VAC	35	45	--	Lux
Power Consumption	P <sub>D</sub>	90-305 VAC	108	120	132	W
Power Factor		90-305 VAC	0.92	0.95	--	
Finished weight			--	4.5	5	kg

PART NO. : BA0ACGHWW2304						
Parameter	Symbol	Condition	Min.	Typ.	Max.	Unit
Luminous Flux	$\Phi_v$	90-305 VAC	11500	13550	-	lm
Correlated Color Temperature	CCT	90-305 VAC	5750	6250	6750	K
Color Index	%	90-305 VAC	70	-	-	Ra
Viewing Angle	$\Delta \theta$	90-305 VAC	--	140°	--	Deg
Illuminance @ 1M distance		90-305 VAC	4750	5600	--	Lux
Illuminance @ 8M distance		90-305 VAC	70	85	--	Lux
Illuminance @ 10M distance		90-305 VAC	45	55	--	Lux
Illuminance @ 12M distance		90-305 VAC	30	35	--	Lux
Illuminance @ 15M distance		90-305 VAC	20	25	--	Lux
Power Consumption	P <sub>D</sub>	90-305 VAC	108	120	132	W
Power Factor		90-305 VAC	0.92	0.95	--	
Finished weight			--	4.5	5	kg

**BA0BCGHWWx304 Series**

PART NO. : BA0BCGHWW0304	Symbol	Condition	Min.	Typ.	Max.	Unit
Parameter						
Luminous Flux	$\Phi_v$	90-305 VAC	11900	14100	-	lm
Correlated Color Temperature	CCT	90-305 VAC	5750	6250	6750	K
Color Index	%	90-305 VAC	70	-	-	Ra
Viewing Angle	$\Delta \theta$	90-305 VAC	--	80°	--	Deg
Illuminance @ 1M distance		90-305 VAC	18700	22000	--	Lux
Illuminance @ 8M distance		90-305 VAC	330	395	--	Lux
Illuminance @ 10M distance		90-305 VAC	185	220	--	Lux
Illuminance @ 12M distance		90-305 VAC	125	150	--	Lux
Illuminance @ 15M distance		90-305 VAC	85	100	--	Lux
Power Consumption	P <sub>D</sub>	90-305 VAC	135	150	165	W
Power Factor		90-305 VAC	0.92	0.95	--	
Finished weight			--	4.5	5	kg

PART NO. : BA0BCGHWW1304	Symbol	Condition	Min.	Typ.	Max.	Unit
Parameter						
Luminous Flux	$\Phi_v$	90-305 VAC	12450	14650	-	lm
Correlated Color Temperature	CCT	90-305 VAC	5750	6250	6750	K
Color Index	%	90-305 VAC	70	-	-	Ra
Viewing Angle	$\Delta \theta$	90-305 VAC	--	110°	--	Deg
Illuminance @ 1M distance		90-305 VAC	6370	7500		Lux
Illuminance @ 8M distance		90-305 VAC	130	155		Lux
Illuminance @ 10M distance		90-305 VAC	100	120		Lux
Illuminance @ 12M distance		90-305 VAC	70	85		Lux
Illuminance @ 15M distance		90-305 VAC	45	55		Lux
Power Consumption	P <sub>D</sub>	90-305 VAC	135	150	165	W
Power Factor		90-305 VAC	0.92	0.95	--	
Finished weight			--	4.5	5	kg



PART NO. : BA0BCGHWW2304	Symbol	Condition	Min.	Typ.	Max.	Unit
Parameter						
Luminous Flux	$\Phi_v$	90-305 VAC	13450	15850	-	lm
Correlated Color Temperature	CCT	90-305 VAC	5750	6250	6750	K
Color Index	%	90-305 VAC	70	-	-	Ra
Viewing Angle	$\Delta \theta$	90-305 VAC	--	140°	--	Deg
Illuminance @ 1M distance		90-305 VAC	5900	6950		Lux
Illuminance @ 8M distance		90-305 VAC	90	105		Lux
Illuminance @ 10M distance		90-305 VAC	60	70		Lux
Illuminance @ 12M distance		90-305 VAC	35	45		Lux
Illuminance @ 15M distance		90-305 VAC	25	30		Lux
Power Consumption	P <sub>D</sub>	90-305 VAC	135	150	165	W
Power Factor		90-305 VAC	0.92	0.95	--	
Finished weight			--	4.5	5	kg

**BA0CCGHWWx304 Series**

PART NO. : BA0CCGHWW0304	Symbol	Condition	Min.	Typ.	Max.	Unit
Parameter						
Luminous Flux	$\Phi_v$	90-305 VAC	13750	16300	-	lm
Correlated Color Temperature	CCT	90-305 VAC	5750	6250	6750	K
Color Index	%	90-305 VAC	70	-	-	Ra
Viewing Angle	$\Delta \theta$	90-305 VAC	--	80°	--	Deg
Illuminance @ 1M distance		90-305 VAC	20400	24000	--	Lux
Illuminance @ 8M distance		90-305 VAC	380	450	--	Lux
Illuminance @ 10M distance		90-305 VAC	210	245	--	Lux
Illuminance @ 12M distance		90-305 VAC	145	170	--	Lux
Illuminance @ 15M distance		90-305 VAC	90	110	--	Lux
Power Consumption	P <sub>D</sub>	90-305 VAC	171	190	209	W
Power Factor		90-305 VAC	0.92	0.95	--	
Finished weight			-	5	5.5	kg

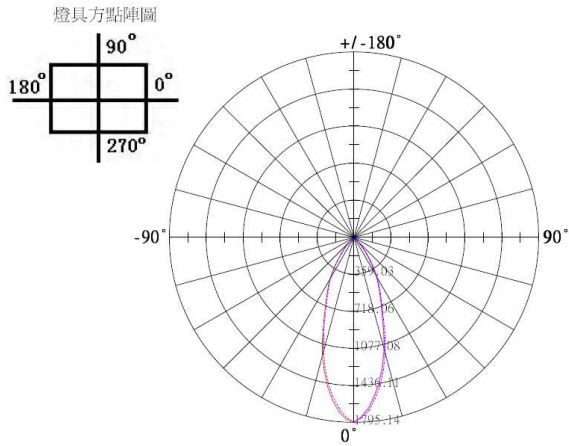


PART NO. : BA0CCGHW1304	Symbol	Condition	Min.	Typ.	Max.	Unit
Parameter						
Luminous Flux	$\Phi_v$	90-305 VAC	14050	16650	-	lm
Correlated Color Temperature	CCT	90-305 VAC	5750	6250	6750	K
Color Index	%	90-305 VAC	70	-	-	Ra
Viewing Angle	$\Delta \theta$	90-305 VAC	--	110°	--	Deg
Illuminance @ 1M distance		90-305 VAC	6850	8100	--	Lux
Illuminance @ 8M distance		90-305 VAC	140	165	--	Lux
Illuminance @ 10M distance		90-305 VAC	110	130	--	Lux
Illuminance @ 12M distance		90-305 VAC	75	90	--	Lux
Illuminance @ 15M distance		90-305 VAC	50	60	--	Lux
Power Consumption	P <sub>D</sub>	90-305 VAC	171	190	209	W
Power Factor		90-305 VAC	0.92	0.95	--	
Finished weight			-	5	5.5	kg

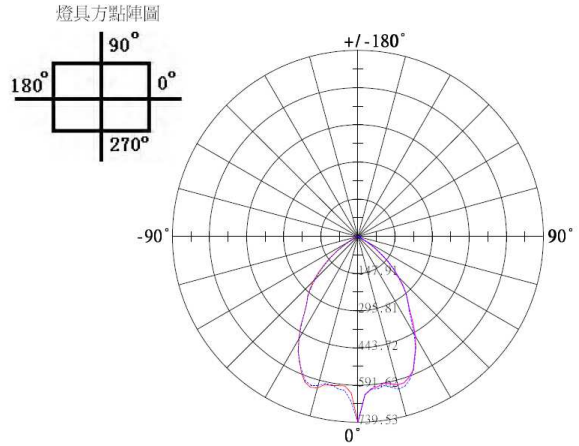
PART NO. : BA0CCGHW2304	Symbol	Condition	Min.	Typ.	Max.	Unit
Parameter						
Luminous Flux	$\Phi_v$	90-305 VAC	15950	18850	-	lm
Correlated Color Temperature	CCT	90-305 VAC	5750	6250	6750	K
Color Index	%	90-305 VAC	70	-	-	Ra
Viewing Angle	$\Delta \theta$	90-305 VAC	--	140°	--	Deg
Illuminance @ 1M distance		90-305 VAC	6840	8500	--	Lux
Illuminance @ 8M distance		90-305 VAC	105	125	--	Lux
Illuminance @ 10M distance		90-305 VAC	65	80	--	Lux
Illuminance @ 12M distance		90-305 VAC	45	55	--	Lux
Illuminance @ 15M distance		90-305 VAC	30	35	--	Lux
Power Consumption	P <sub>D</sub>	90-305 VAC	171	190	209	W
Power Factor		90-305 VAC	0.92	0.95	--	
Finished weight			-	5	5.5	kg



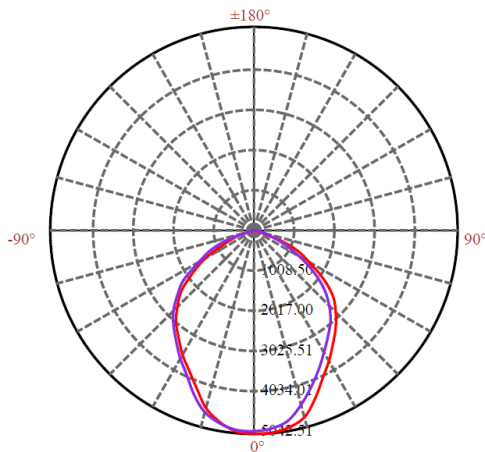
### Radiation Diagram



**BAxxCGHWW0304**



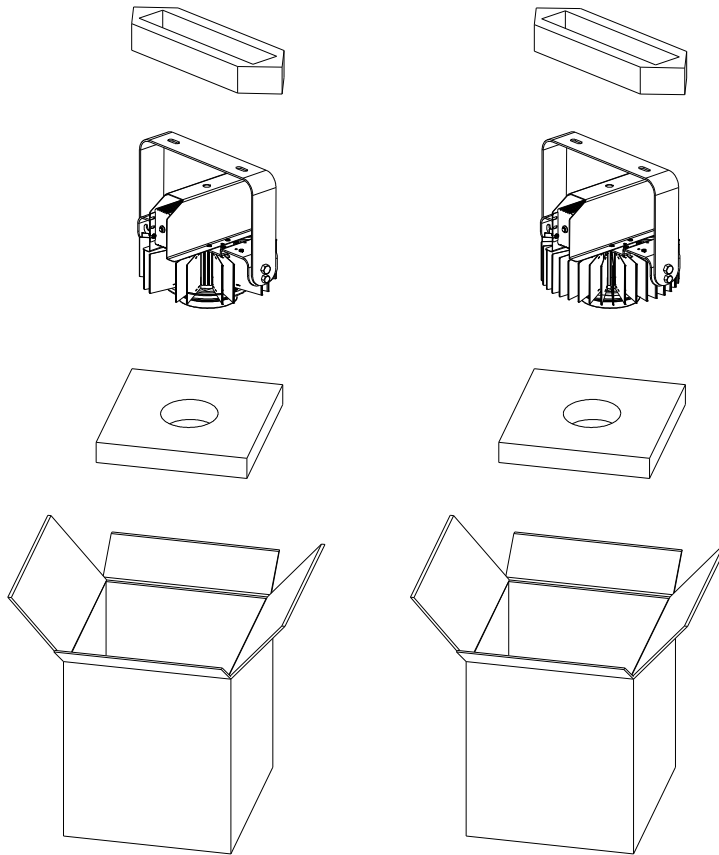
**BAxxCGHWW1304**



**BAxxCGHWW2304**



### Packing method



PART NO 料號:	
POWER CONSUMPTION 功率:	<input type="checkbox"/> 50W <input type="checkbox"/> 80W <input type="checkbox"/> 100W <input type="checkbox"/> 150W <input type="checkbox"/> ...W
COLOR TEMPERATURE 色溫:	<input type="checkbox"/> 4000K <input type="checkbox"/> 6500K
QUANTITY 數量:	1 PCS
G.W. 淨重:	KGS
G.W. 毛重:	KGS
REMARK 備註:	

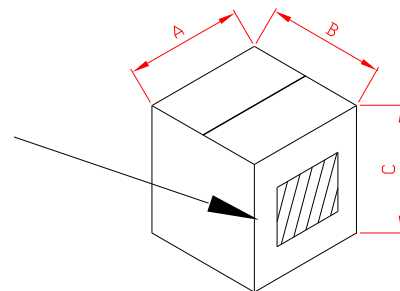


印刷內容 尺寸:160\*160

PART NO 料號:	
POWER CONSUMPTION 功率:	<input type="checkbox"/> 50W <input type="checkbox"/> ...W
COLOR TEMPERATURE 色溫:	<input type="checkbox"/> 4000K <input type="checkbox"/> 6500K
QUANTITY 數量:	1 PCS
G.W. 淨重:	KGS
G.W. 毛重:	KGS
REMARK 備註:	



印刷內容 尺寸:160\*160



Part No.	A (mm)	B (mm)	C (mm)
BA50xGHWWx304	290	290	324
BA90xGHWWx304	290	290	324
BA0AxGHWWx304	290	290	324
BA0BxGHWWx304	290	290	324
BA0CxGHWWx304	290	290	349