



LEDTECH ELECTRONICS CORP.

NANYA ROAD, MUGANG ZHAOQING
CITY GUANGDONG CHINA.

TEL: 86-758-2875541, 2870651, 2877464, 2876185, 2877017

FAX: 86-758-2878014

[Http://www.ledtech.com.tw](http://www.ledtech.com.tw)

SPECIFICATION

PART NO. : BA18WGP7W4001
PAR38 LIGHT
(PRELIMINARY)



Approved by

Checked by

Prepared by

Kj

Yang

Jx



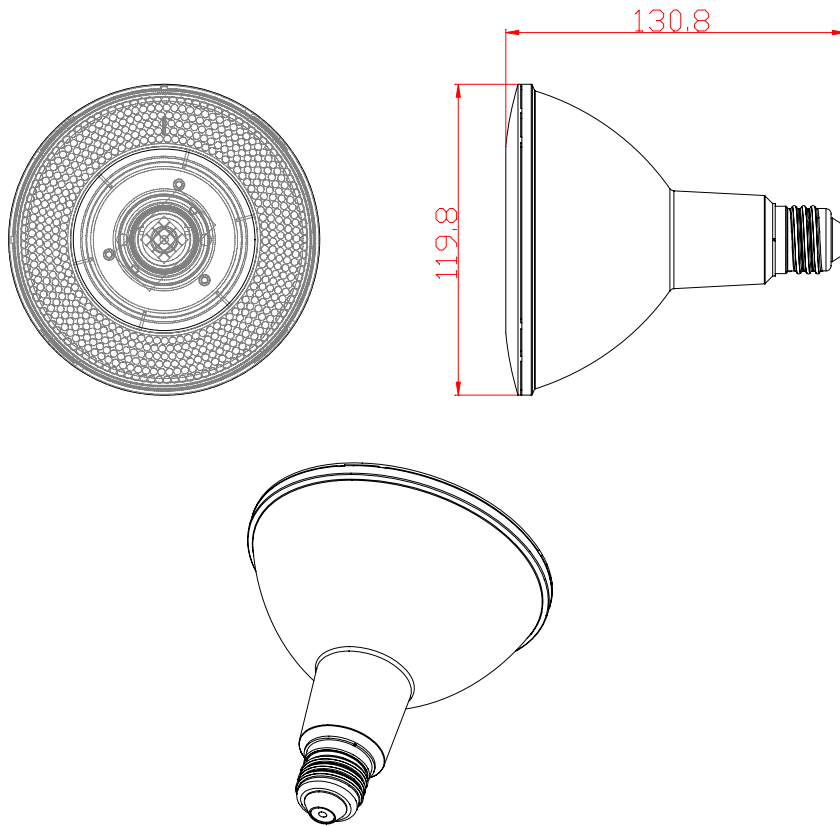
BA18WGP7W4001

PAR38 LIGHT

MODIFY RECORD

TAKE EFFECT DATE	MODIFY ISSUES	REMARKS

Assembly drawing



- 1. All dimensions are in millimeters
- 2. Tolerance is ± 2.0 mm unless otherwise noted

Description

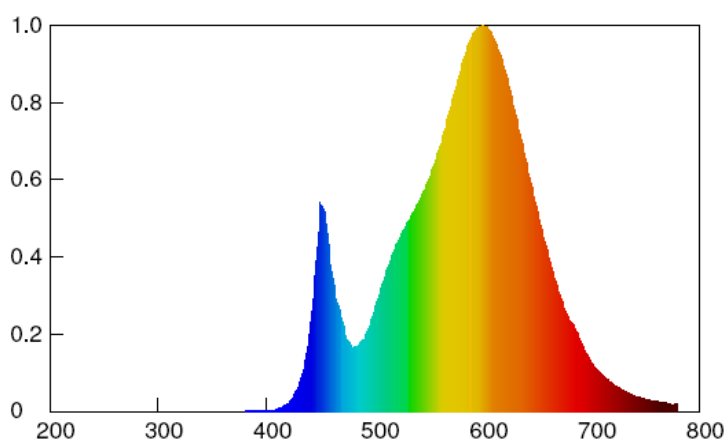
Part No.	Emitting Color	CCT
BA18WGP7W4001	Warm White	3500K

Absolute Maximum Ratings:

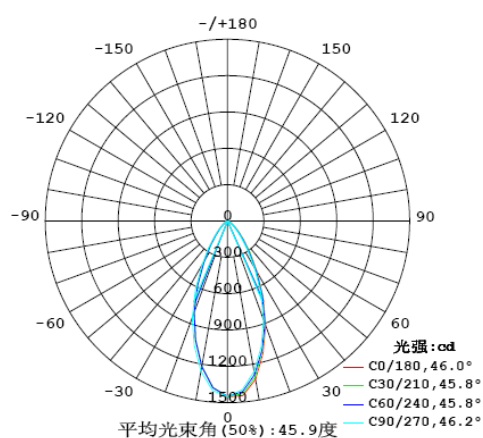
AC input Range	100~240VAC / 50~60Hz
Power Factor	≥ 0.9
Operating Temperature Range	-5 ~ +40°C
Storage Temperature Range	-20 ~ +60°C

Electrical and Optical Characteristics:

Parameter	Symbol	Condition	Min.	Typ.	Max.	Unit
Luminous Flux	Φ_v	220VAC	800	1000	-	lm
Illuminance@1m distance	E	220VAC	1000	1300	-	Lux
Correlated Color Temperature	CCT	220VAC	3000	3500	4200	k
Viewing Angle	$\Delta \theta$	220VAC	-	40	-	Deg
Power Consumption	P _D	220VAC	15	18	21	W

Radiation Diagram:


Spectral Distribution (nm) for 3500K

Light Distribution Curve:


Light Distribution Curve (cd)

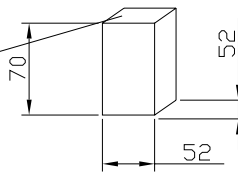
Packing method

P/N: XXXXXXXX
 INPUT: AC100~240V/XXW
 L/N: XXXXXXXXXXXX
 BIN: XX



QUANTITY: 1 PCS

Ledtech LEDTECH ELECTRONICS CORP.
 LED PAR38 LIGHT
 P/N: XXXXXXXXXXXX
 INPUT: AC100~240V/XXW
 COLOR: Warm White/3500K/XX
 LOT NO: XXXXXXXXXXXX
 DATE: XXXX



OUTER CARTON
 TOTAL: 16PCS

Ledtech LEDTECH ELECTRONICS CORP.
 LED PAR38 LIGHT
 P/N: XXXXXXXXXXXX
 INPUT: AC100~240V/XXW
 COLOR: Warm White/3500K
 LOT NO: XXXXXXXXXXXX
 QTY.: 16 PCS
 DATE: XXXX

BIN:	XX	XX
	XX PCS	XX PCS

