



Energyled

6F.,NO.542-4,Zhongzheng Rd ., Xindian Dist.,
,New Taipei City 231,Taiwan (R.O.C)
TEL : 886-2-7729-0589
FAX : 886-2-7729-1871
<http://www.energyled.com>

SPECIFICATION

PART NO. : BAxxCGHWWx309

探照燈

Search Light

Approved by

Checked by

Prepared by

Gary

Tony shen

Jason lee



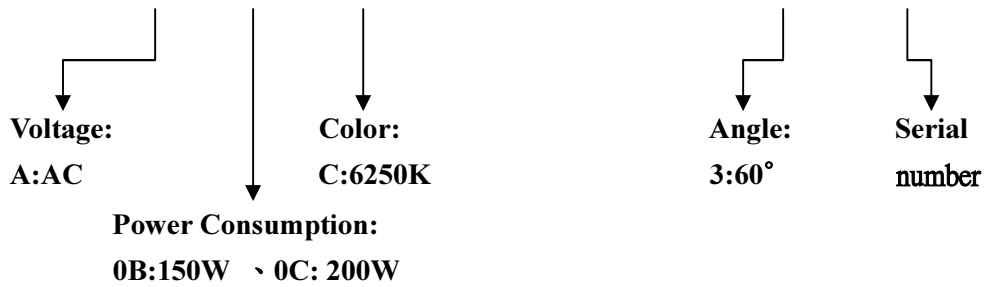
MODIFY RECORD

TAKE EFFECT DATE	MODIFY ISSUES	REMARKS

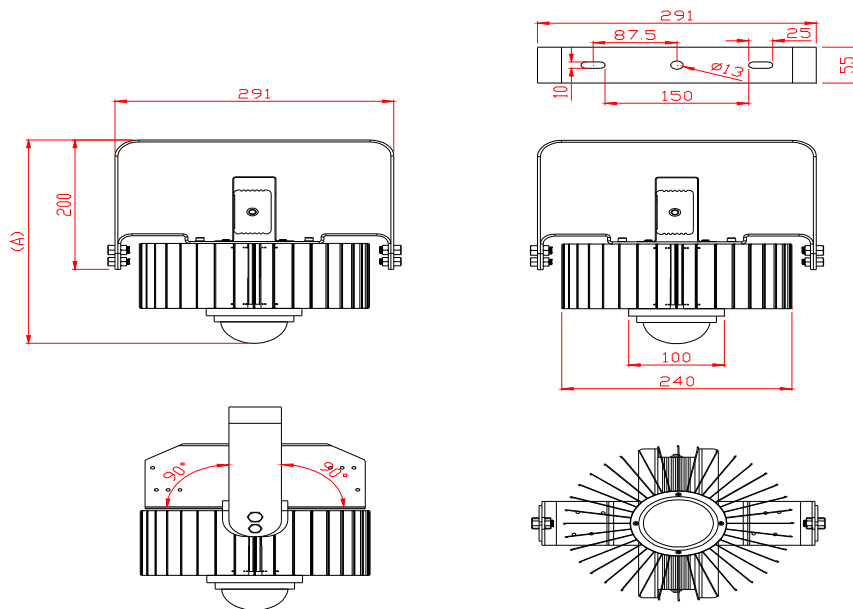


Part Number Information:

B x xx C GHWW x3 xx



Dimensions(尺寸):



PART NO.	(A) ± 3.0(mm)
BA0BCGHWW3309	290 mm
BA0CCGHWW3309	315 mm

1. All dimensions are in millimeters.
2. Tolerance is ±3 mm unless otherwise noted.

**Description**

Part No.	Emitting Color	CCT	Operation Voltage
BAxxCGHWWx309	White	6250K	90-305 VAC
		WE、WF、WG	

Absolute Maximum Ratings at Ta=25 °C

Parameter	Symbol	Rating	Unit
Operating Temperature Range	Topr.	-40 to +50	°C
Storage Temperature Range	Tstg.	-40 to +60	°C
Electric Static Discharge Threshold (HBM)	ESD	6000	V
Operating Humidity (non – condensing)	%	20~90	RH

**Electrical And Optical Characteristics(光電特性):****BA0BCGHWWx309 Series**

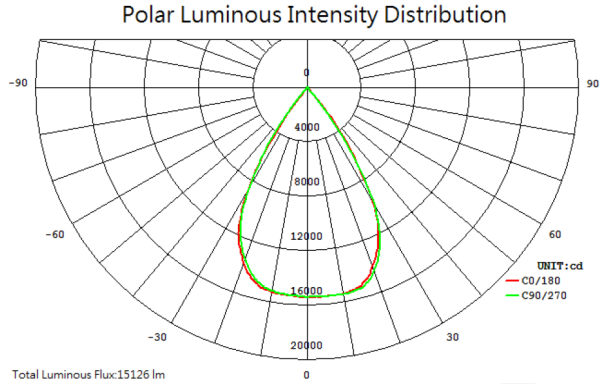
PART NO. : BA0BCGHWW3309						
Parameter	Symbol	Condition	Min.	Typ.	Max.	Unit
Luminous Flux	Φ_v	90-305 VAC	13590	15100	16610	lm
Correlated Color Temperature	CCT	90-305 VAC	5750	6250	6750	K
Color Index	%	90-305 VAC	70	-	-	Ra
Viewing Angle	$\Delta \theta$	90-305 VAC	--	60°	--	Deg
Illuminance @ 1M distance		90-305 VAC	13150	15480	--	Lux
Illuminance @ 8M distance		90-305 VAC	200	240	--	Lux
Illuminance @ 10M distance		90-305 VAC	130	155	--	Lux
Illuminance @ 12M distance		90-305 VAC	90	105	--	Lux
Illuminance @ 15M distance		90-305 VAC	55	68	--	Lux
Power Consumption	P _D	90-305 VAC	135	150	165	W
Power Factor		90-305 VAC	0.92	0.95	--	
Finished weight			--	4.5	5	kg

BA0CCGHWWx309 Series

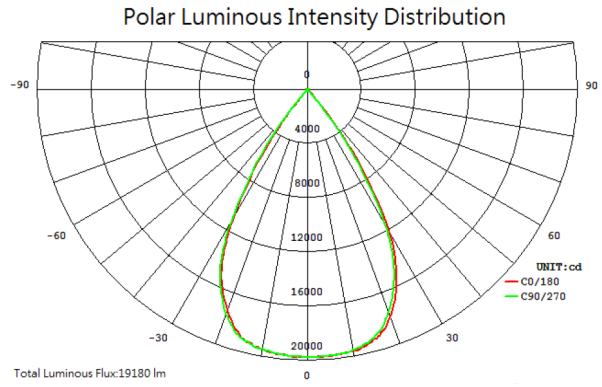
PART NO. : BA0CCGHWW3309						
Parameter	Symbol	Condition	Min.	Typ.	Max.	Unit
Luminous Flux	Φ_v	90-305 VAC	17260	19180	21100	lm
Correlated Color Temperature	CCT	90-305 VAC	5750	6250	6750	K
Color Index	%	90-305 VAC	70	-	-	Ra
Viewing Angle	$\Delta \theta$	90-305 VAC	--	60°	--	Deg
Illuminance @ 1M distance		90-305 VAC	16890	19870	--	Lux
Illuminance @ 8M distance		90-305 VAC	260	310	--	Lux
Illuminance @ 10M distance		90-305 VAC	165	198	--	Lux
Illuminance @ 12M distance		90-305 VAC	115	135	--	Lux
Illuminance @ 15M distance		90-305 VAC	75	88	--	Lux
Power Consumption	P _D	90-305 VAC	171	190	209	W
Power Factor		90-305 VAC	0.92	0.95	--	
Finished weight			-	5	5.5	kg



Radiation Diagram



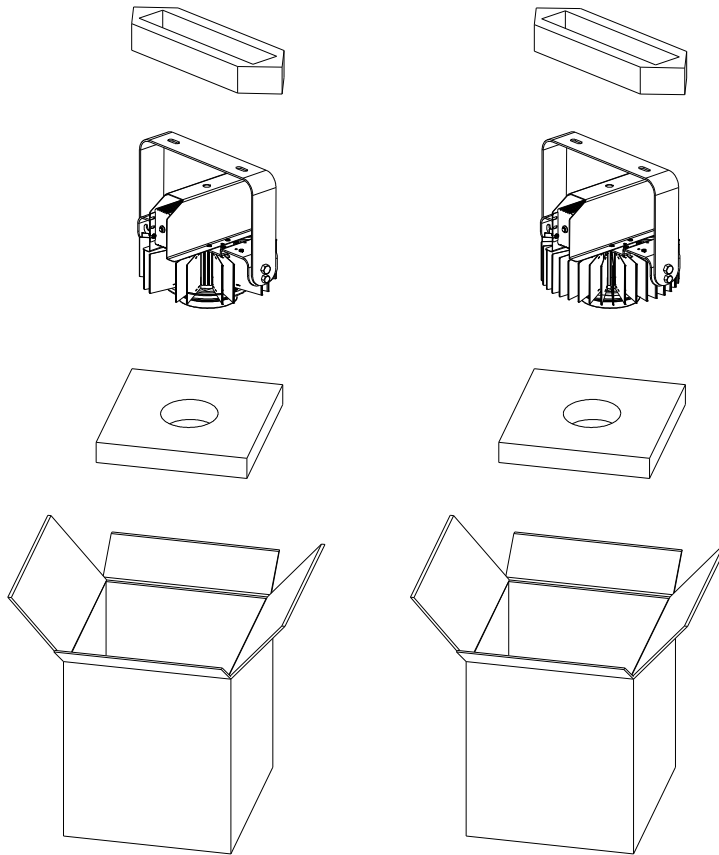
BA0BCGHWW3309



BA0CCGHWW3309



Packing method



PART NO 料號:					
POWER CONSUMPTION 功率:	<input type="checkbox"/> 30W	<input type="checkbox"/> 60W	<input type="checkbox"/> 120W	<input type="checkbox"/> 150W	<input type="checkbox"/> ...W
COLOR TEMPERATURE 色溫:	<input type="checkbox"/> 4000K	<input type="checkbox"/> 5000K			
QUANTITY 數量:	1			PCS	
G.W. 淨重:				KGS	
G.R. 毛重:				KGS	
REMARK 備註:					

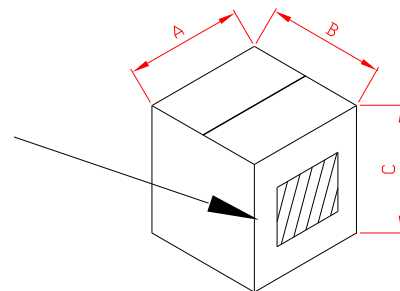


印刷內容 尺寸:160*160

PART NO 料號:					
POWER CONSUMPTION 功率:	<input type="checkbox"/> 30W	<input type="checkbox"/> ...W			
COLOR TEMPERATURE 色溫:	<input type="checkbox"/> 4000K	<input type="checkbox"/> 5000K			
QUANTITY 數量:	1			PCS	
G.W. 淨重:				KGS	
G.R. 毛重:				KGS	
REMARK 備註:					



印刷內容 尺寸:160*160



Part No.	A (mm)	B (mm)	C (mm)
BA0BxGHWWx309	290	290	324
BA0CxGHWWx309	290	290	349