



**Energyled**

6F.,NO.542-4,Zhongzheng Rd ., Xindian Dist.,  
,New Taipei City 231,Taiwan (R.O.C)  
TEL : 886-2-7729-0589  
FAX : 886-2-7729-1871  
<http://www.energyled.com>

# SPECIFICATION

*PART NO. : HBF0B11-UNI2-xW2-xxx*

**COB 泛光燈 系列**  
**COB Flood Light Series**

**CE IP66**

Approved by

Checked by

Prepared by

**Gary**

-

**Tony**





Part Number Information (型號資訊):

# HBF0B11-UNI2-xW2-xxx

↓  
W: 3000K CCT

N: 4000K CCT

D: 5700K CCT

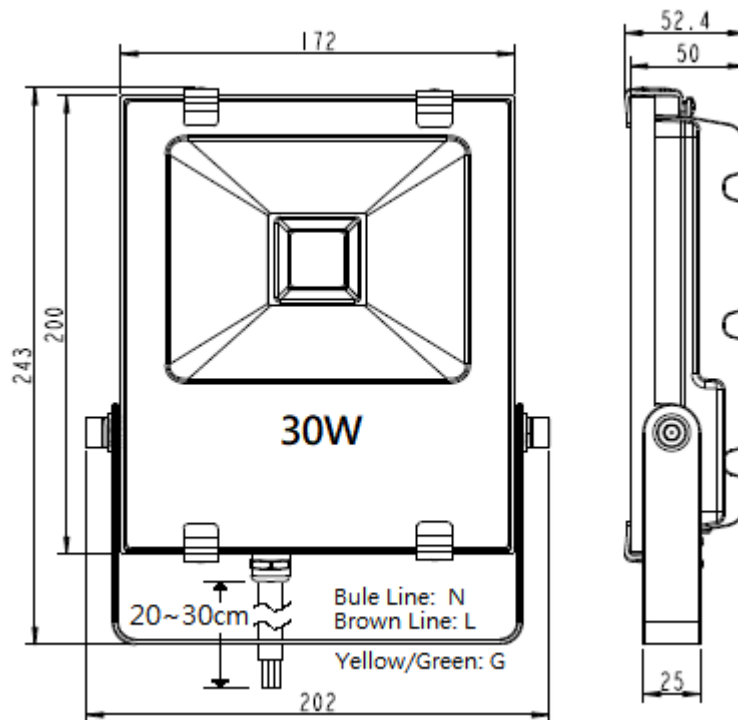
↓  
030: 30W

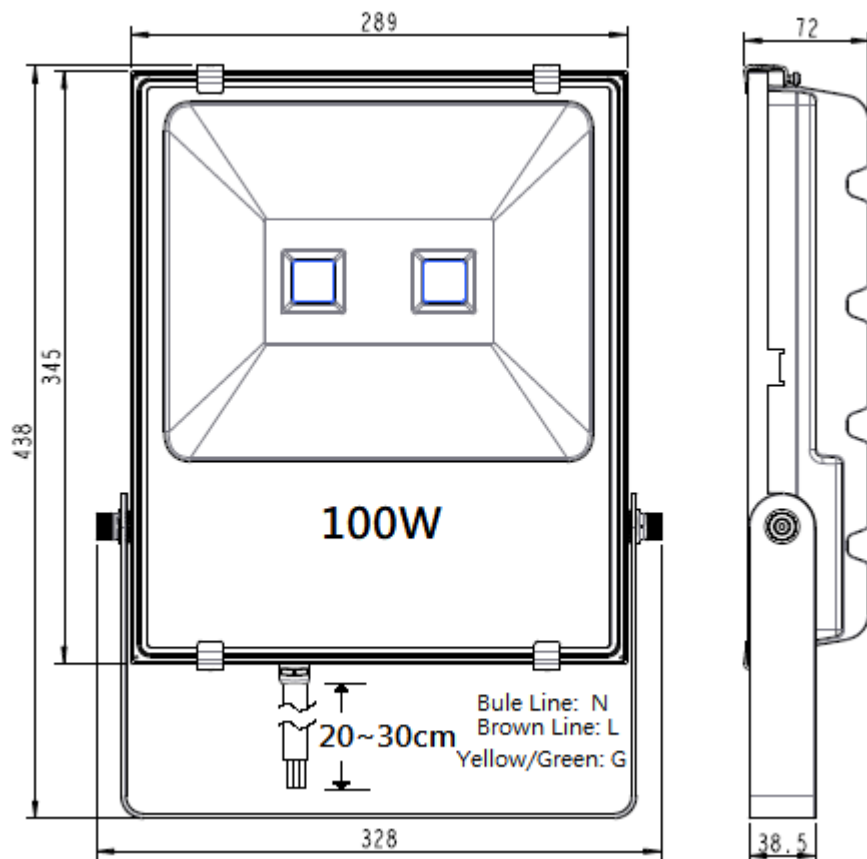
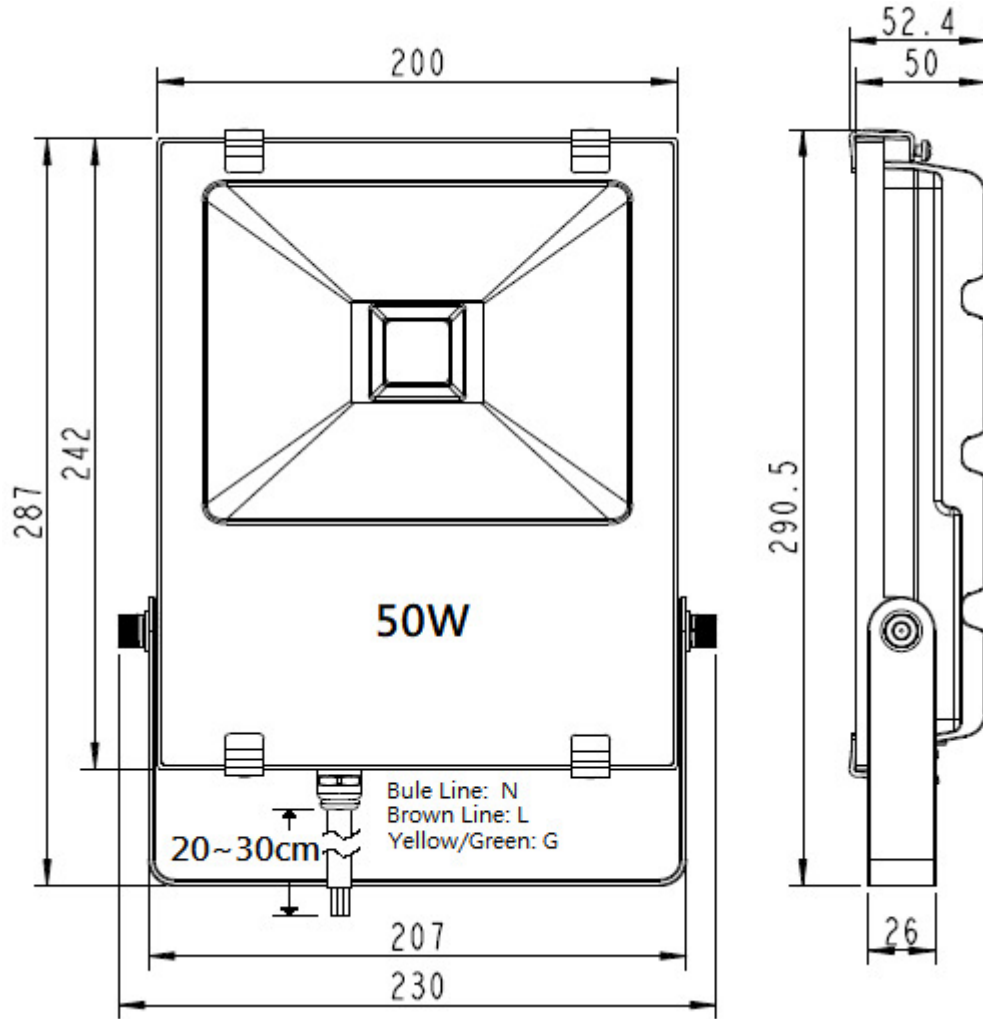
050: 50W

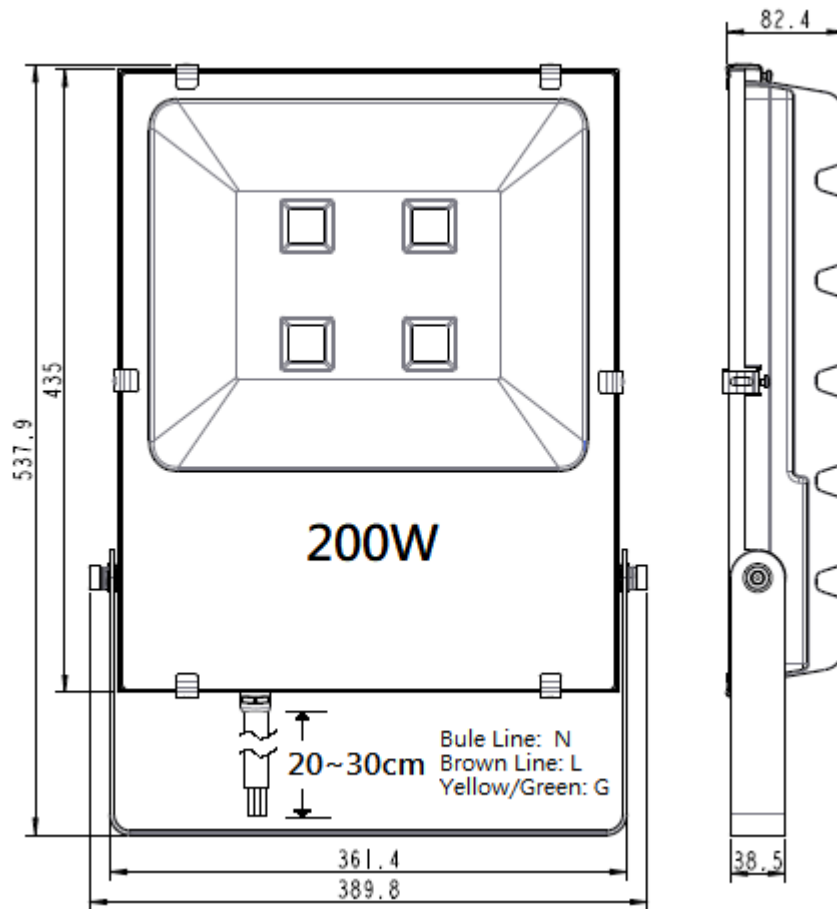
100: 100W

200: 200W

Dimensions(尺寸):







1. All dimensions are in millimeters.
2. Tolerance is  $\pm 5$  mm unless otherwise noted.

**Absolute Maximum Ratings at Ta=25 °C (限制值範圍於 Ta 25°C)**

Parameter	Symbol	Rating	Unit
Input Voltage Range	Vac	90 - 264	V
Operating Temperature Range	Topr.	-30 to +50	°C
Storage Temperature Range	Tstg.	-40 to +60	°C



## Electrical And Optical Characteristics(光電特性):

**HBF0B11-UNI2-xW2-030**

Item		Symbol	Condition	Min.	Typ.	Max.	Unit
Luminous Flux	3000K CCT	$\Phi_v$	220 VAC	2700	3000	-	lm
	4000K CCT			3000	3300	-	
	5700K CCT			3000	3300	-	
Correlated Color Temperature	Warm White	CCT		2700	3000	3300	K
	Natural White			3700	4000	4300	K
	White			5500	5700	6100	K
Color Index		%		70	-	-	Ra
Viewing Angle		$\Delta\theta$		--	110°	--	Deg
Power Consumption		P <sub>D</sub>		27	30	33	W
Power Factor		%		0.9	--	--	--

**HBF0B11-UNI2-xW2-050**

Item		Symbol	Condition	Min.	Typ.	Max.	Unit
Luminous Flux	3000K CCT	$\Phi_v$	220 VAC	4500	5000	-	lm
	4000K CCT			5000	5500	-	
	5700K CCT			5000	5500	-	
Correlated Color Temperature	Warm White	CCT		2700	3000	3300	K
	Natural White			3700	4000	4300	K
	White			5500	5700	6100	K
Color Index		%		70	-	-	Ra
Viewing Angle		$\Delta\theta$		--	110°	--	Deg
Power Consumption		P <sub>D</sub>		45	50	55	W
Power Factor		%		0.9	--	--	--

**HBF0B11-UNI2-xW2-100**

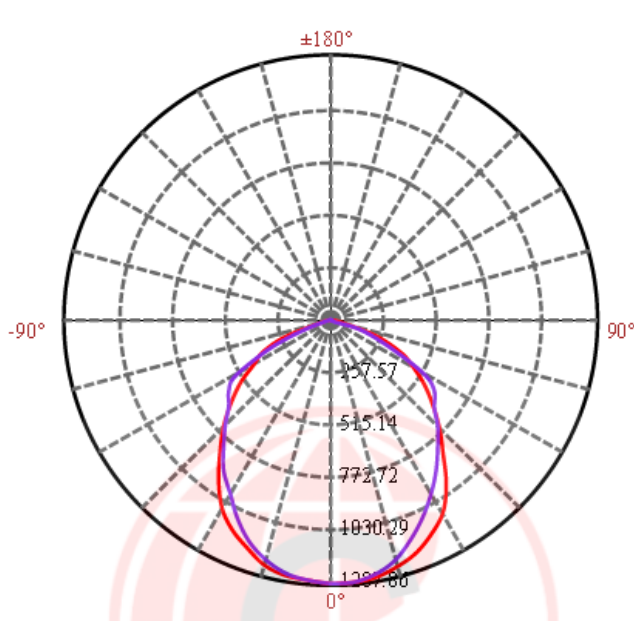
Item		Symbol	Condition	Min.	Typ.	Max.	Unit
Luminous Flux	3000K CCT	$\Phi_v$	220 VAC	9000	9900	-	lm
	4000K CCT			9900	11000	-	
	5700K CCT			9900	11000	-	
Correlated Color Temperature	Warm White	CCT		2700	3000	3300	K
	Natural White			3700	4000	4300	K
	White			5500	5700	6100	K
Color Index		%		70	-	-	Ra
Viewing Angle		$\Delta\theta$		--	110°	--	Deg
Power Consumption		P <sub>D</sub>		90	100	110	W
Power Factor		%		0.9	-	--	--

**HBF0B11-UNI2-xW2-200**

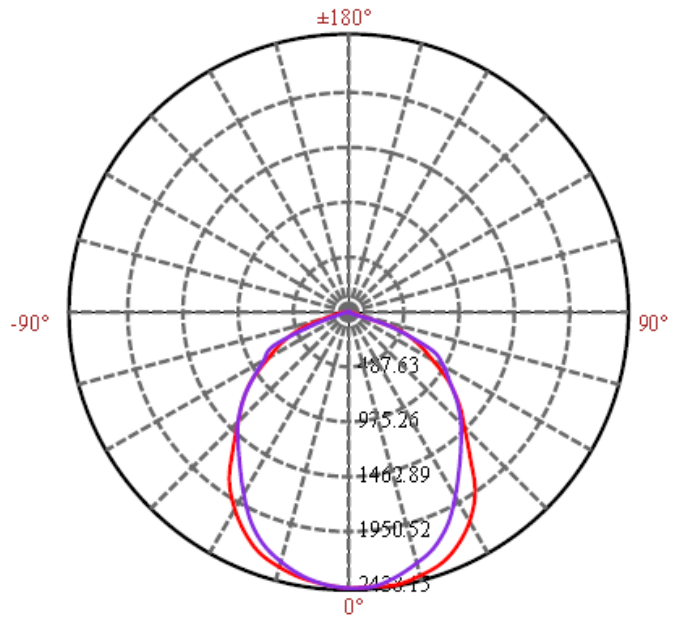
Item		Symbol	Condition	Min.	Typ.	Max.	Unit
Luminous Flux	3000K CCT	$\Phi_v$	220 VAC	18000	20000	-	lm
	4000K CCT			20000	22000	-	
	5700K CCT			20000	22000	-	
Correlated Color Temperature	Warm White	CCT		2700	3000	3300	K
	Natural White			3700	4000	4300	K
	White			5500	5700	6100	K
Color Index		%		70	-	-	Ra
Viewing Angle		$\Delta\theta$		--	110°	--	Deg
Power Consumption		P <sub>D</sub>		190	200	210	W
Power Factor		%		0.9	-	--	--



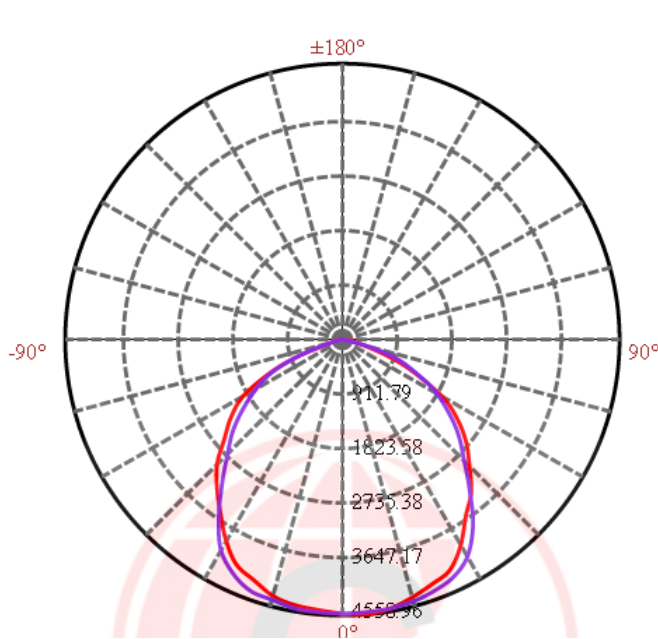
Radiation Diagram (配光曲線圖):



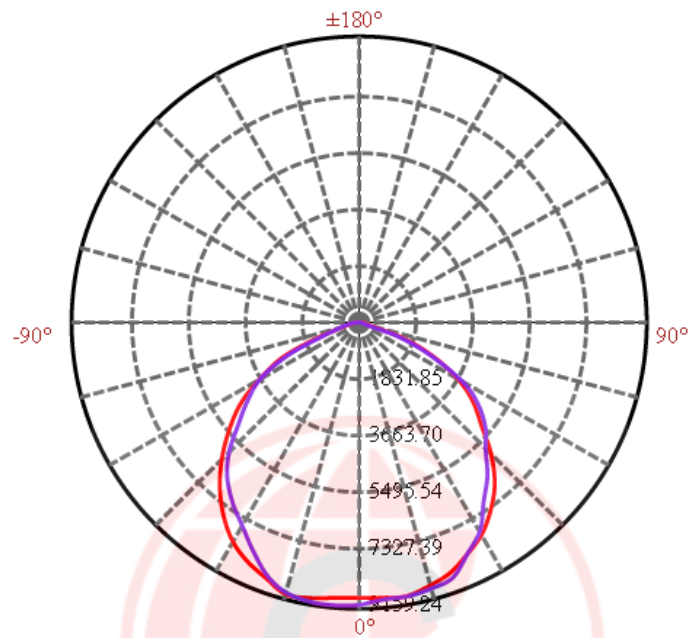
30W



50W



100W

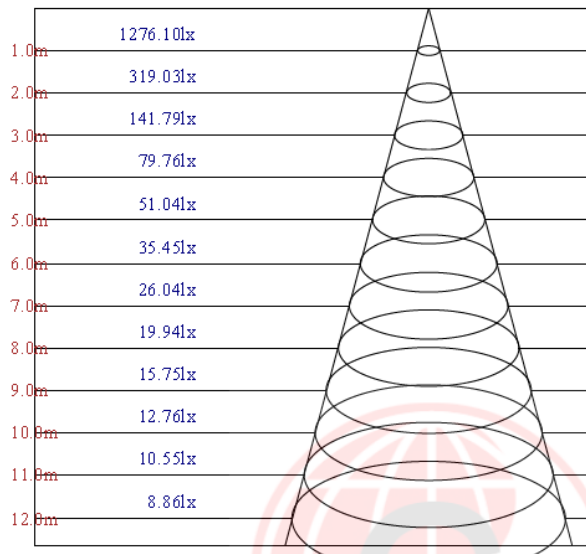


200W

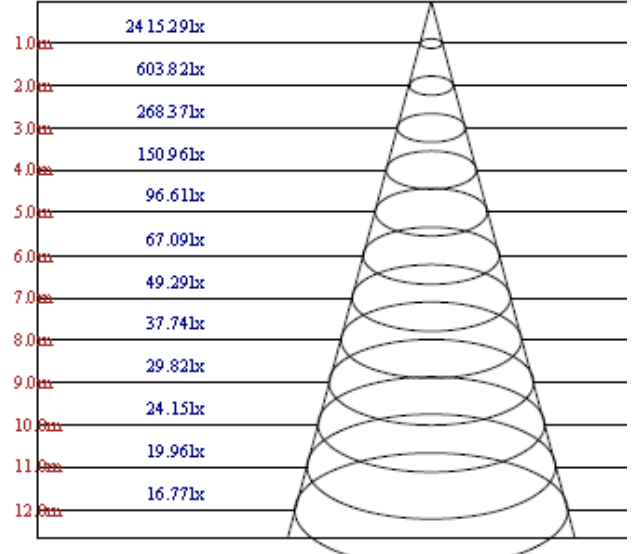




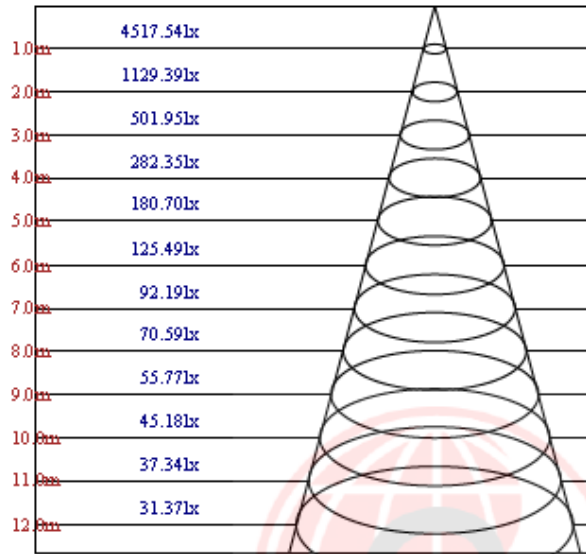
**Lux distance Curve (照度/距離表格):**



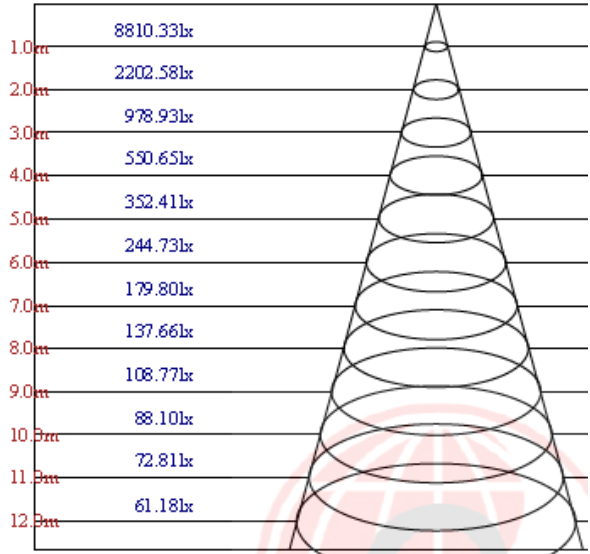
**30W**



**50W**



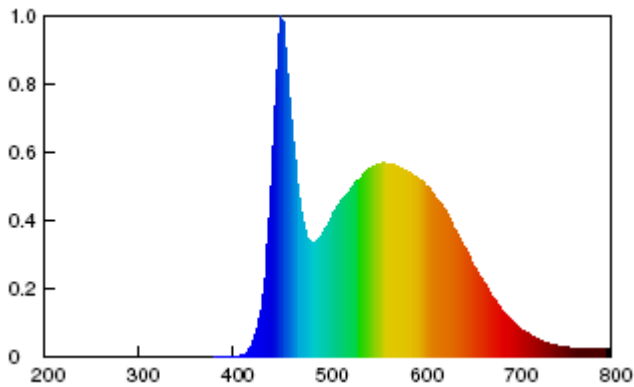
**100W**



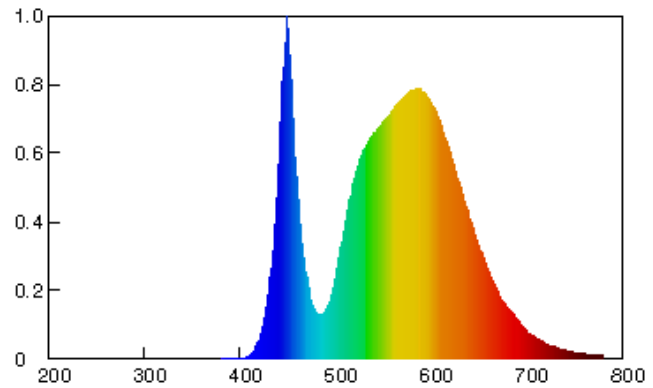
**200W**



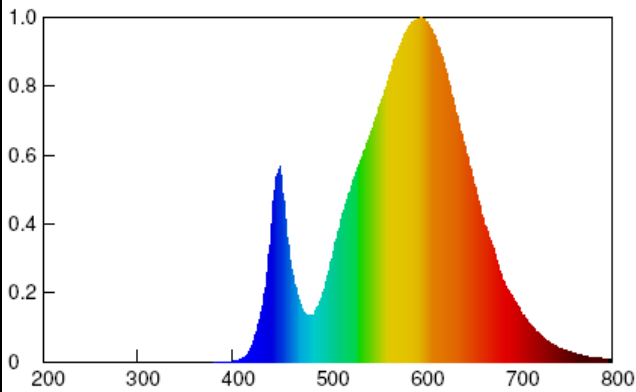
**Spectroradiometric Parameters (光譜曲線圖) :**



Spectral Distribution (nm) for 5700K



Spectral Distribution (nm) for 4000K



Spectral Distribution (nm) for 3000K

**Encased Type (包裝方式):**

Item NO.	Quantity	L(cm)	W(cm)	H(cm)	N.W(Kg)	G.W(Kg)
30W	5PCS	38	22	25	7.5	8.8
50W	5PCS	38	25.5	30	10.0	11.2
100W	2PCS	45	34	20	11.5	12.6
200W	1PCS	51	37	12	7.0	7.8