



Energyled

6F.,NO.542-4,Zhongzheng Rd ., Xindian Dist.,
,New Taipei City 231,Taiwan (R.O.C)
TEL : 886-2-7729-0589
FAX : 886-2-7729-1871
<http://www.energyled.com>

SPECIFICATION

PART NO. : BAxxxGSWW0002

LED Street Light
30~240W Series



Approved by

Checked by

Prepared by

Gary

Tony shen

Jason lee



MODIFY RECORD

TAKE EFFECT DATE	MODIFY ISSUES	REMARKS
104.06.15	1.新增 lm80 圖示 2.新增以下兩段文字註解: The heat sink is made of aluminum. Powder coating is applied to the fixture.	回收 01 版發行 02 版
2016.9.1	1. Input Power 新增正負公差 2. Luminous Flux Output 新增正負公差	回收 02 版發行 03 版



Part Number Information:

B A xx x GSWW0002

Power Consumption

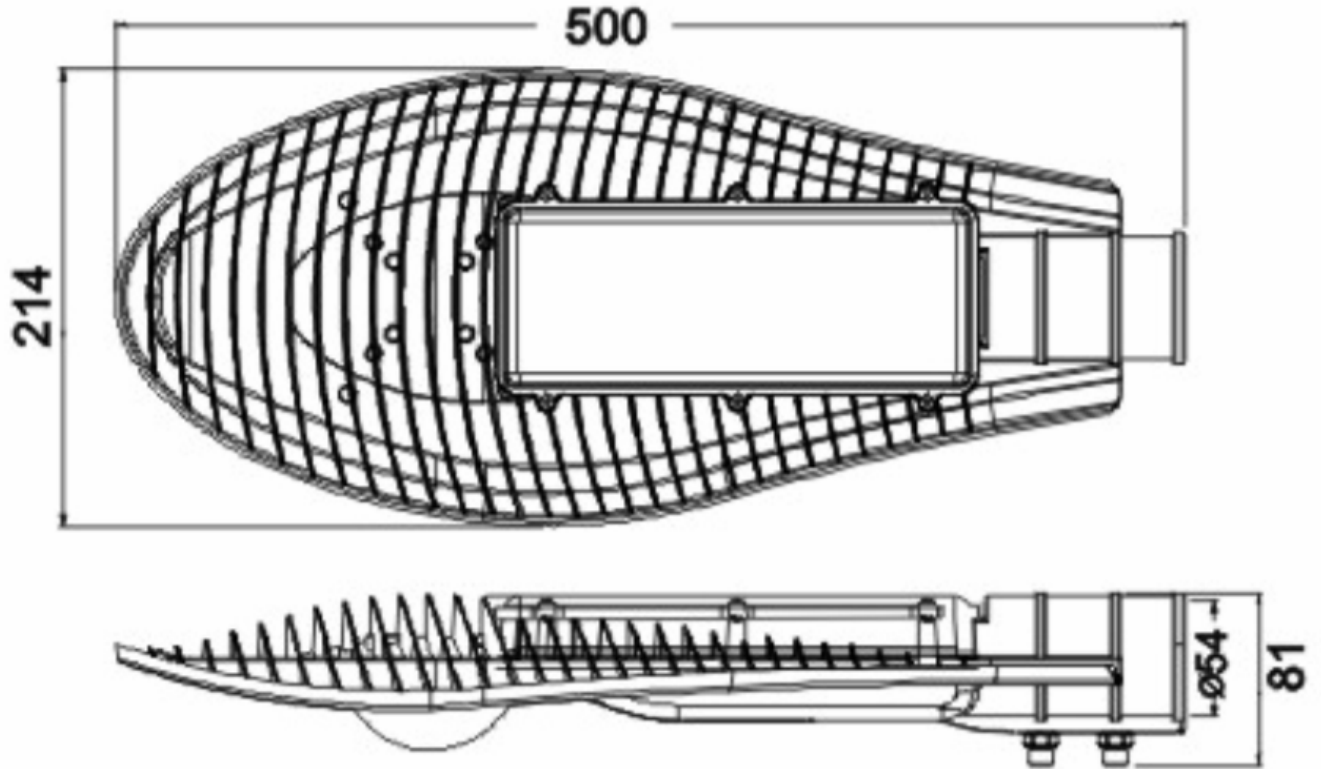
- 30 : 30W
- 50 : 50W
- 60 : 60W
- 80 : 80W
- 0D : 100W
- 0A : 120W
- 0B : 150W
- 0E : 180W
- 0C : 200W
- 0F : 240W

Color Temperature

- C : 6000KCCT
- T : 4500K CCT
- W : 3000K CCT



Dimensions: (30W / 50W)

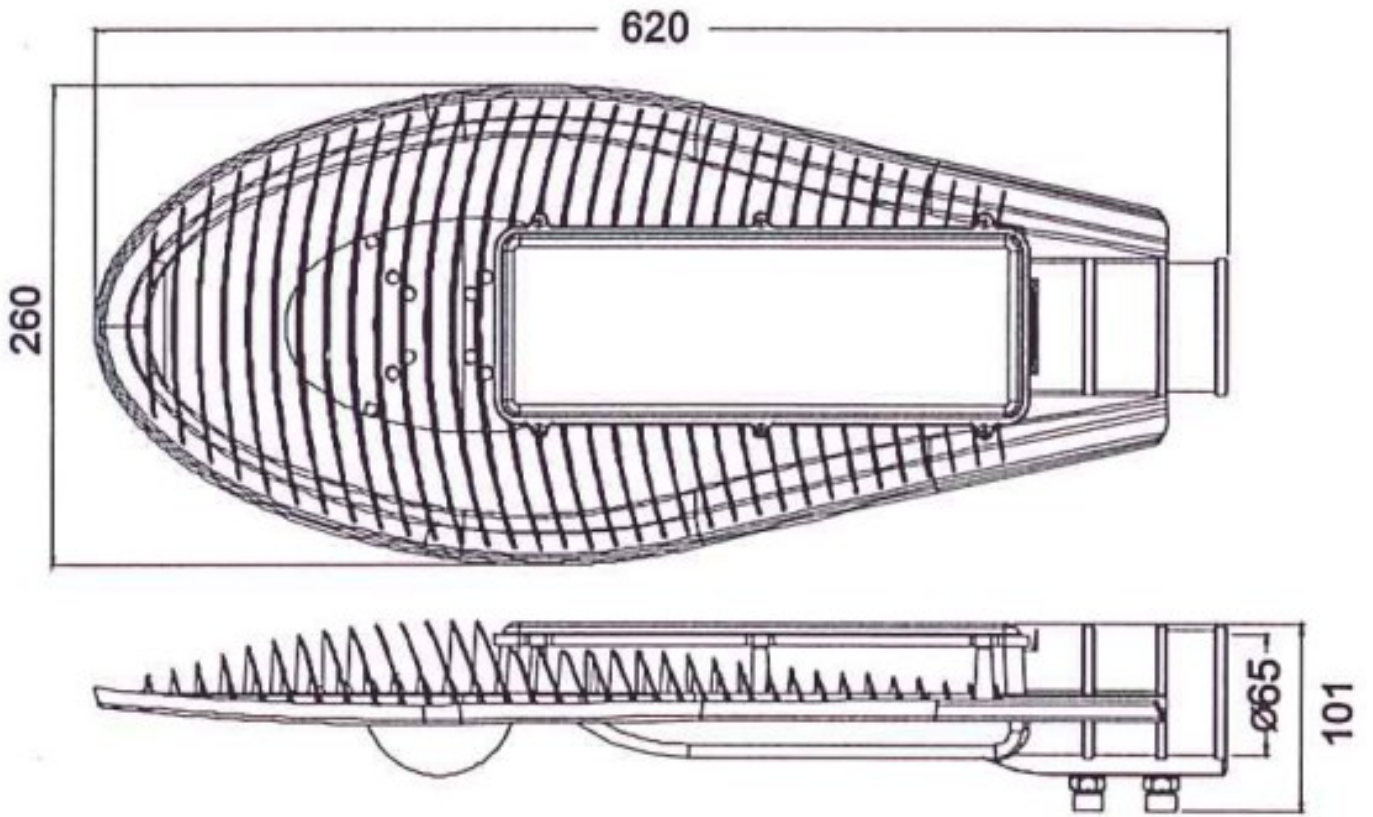


Product Photo:





Dimensions: (60W / 80W)

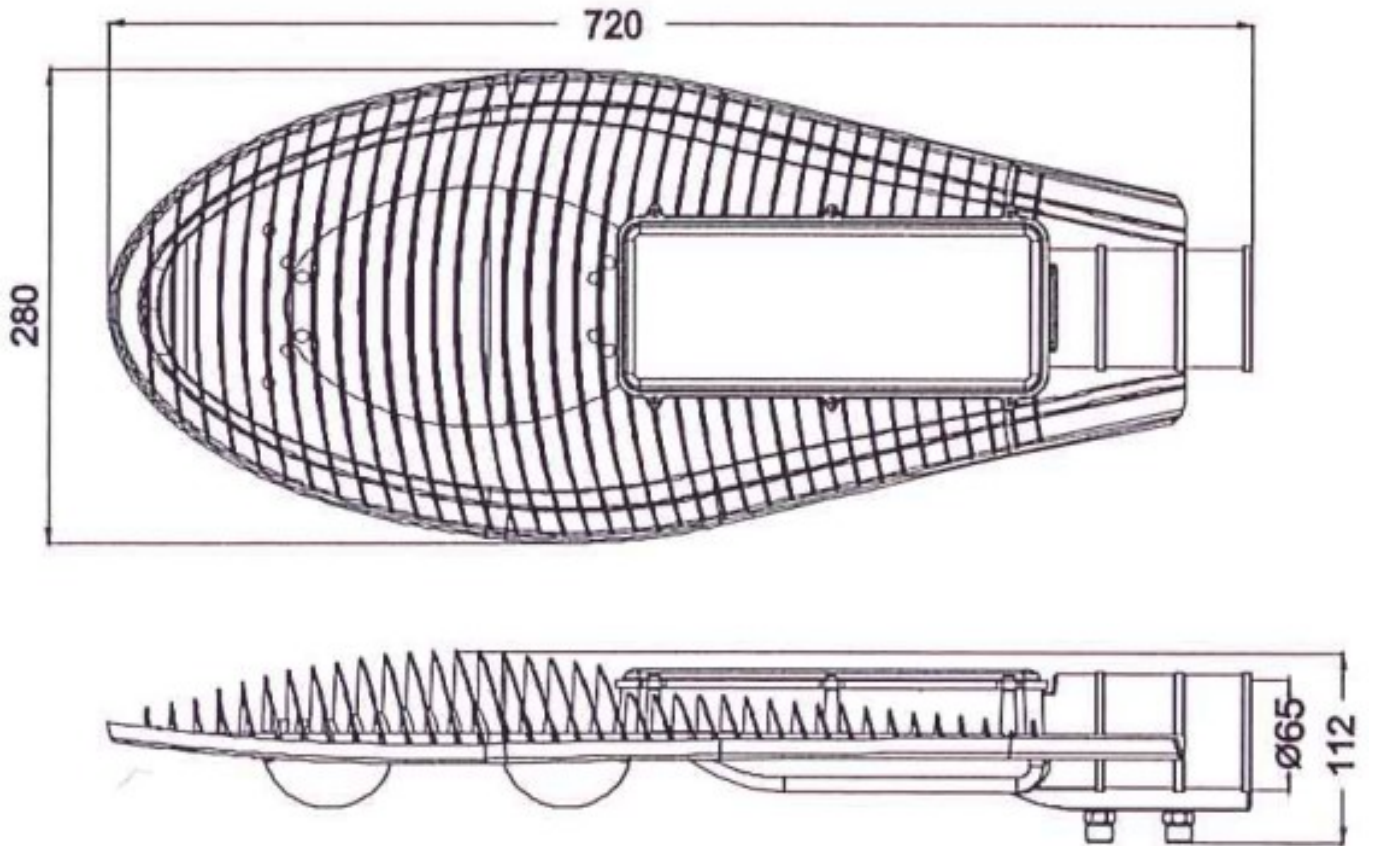


Product Photo:





Dimensions: (100W / 120W)

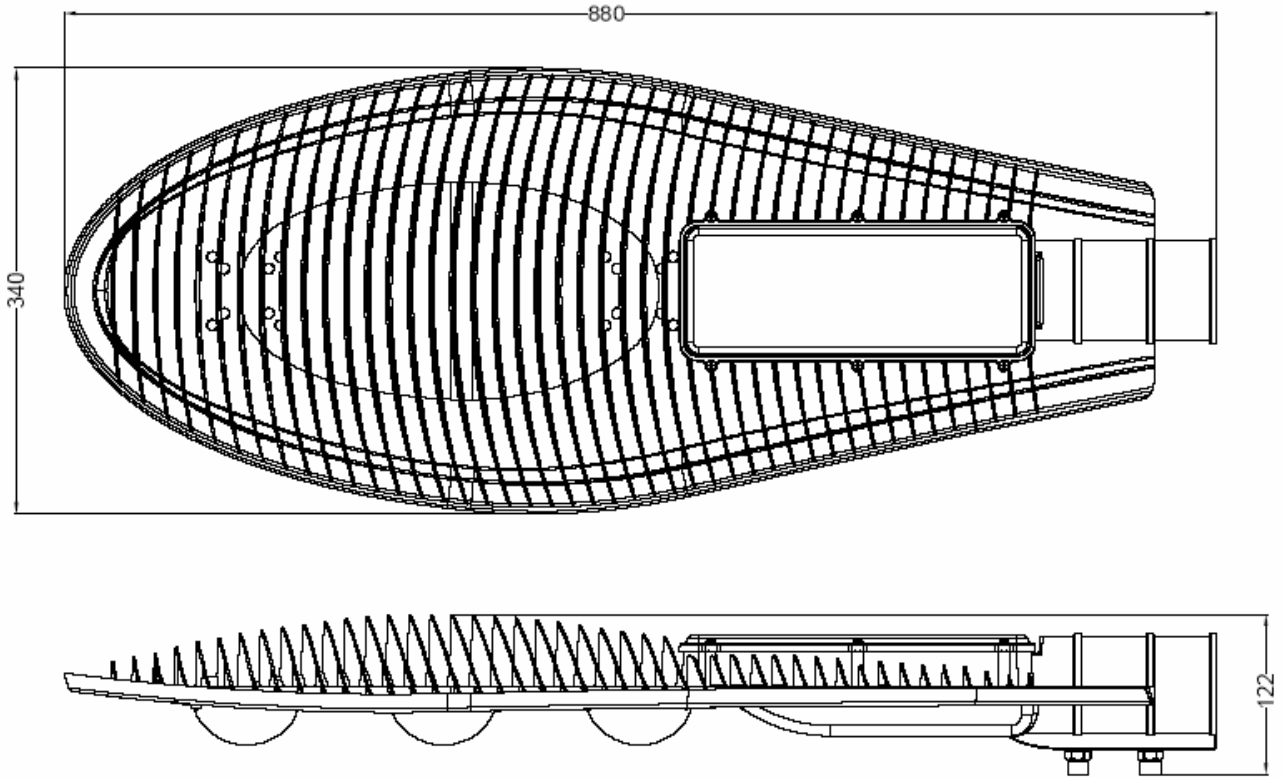


Product Photo:

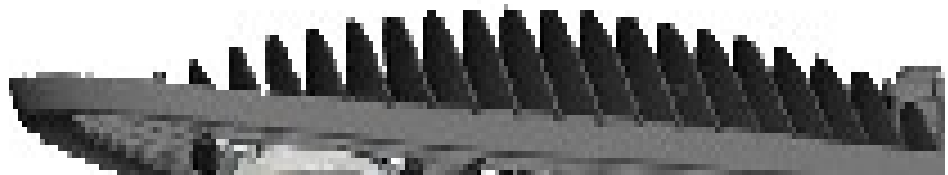




Dimensions: (150W / 180W)

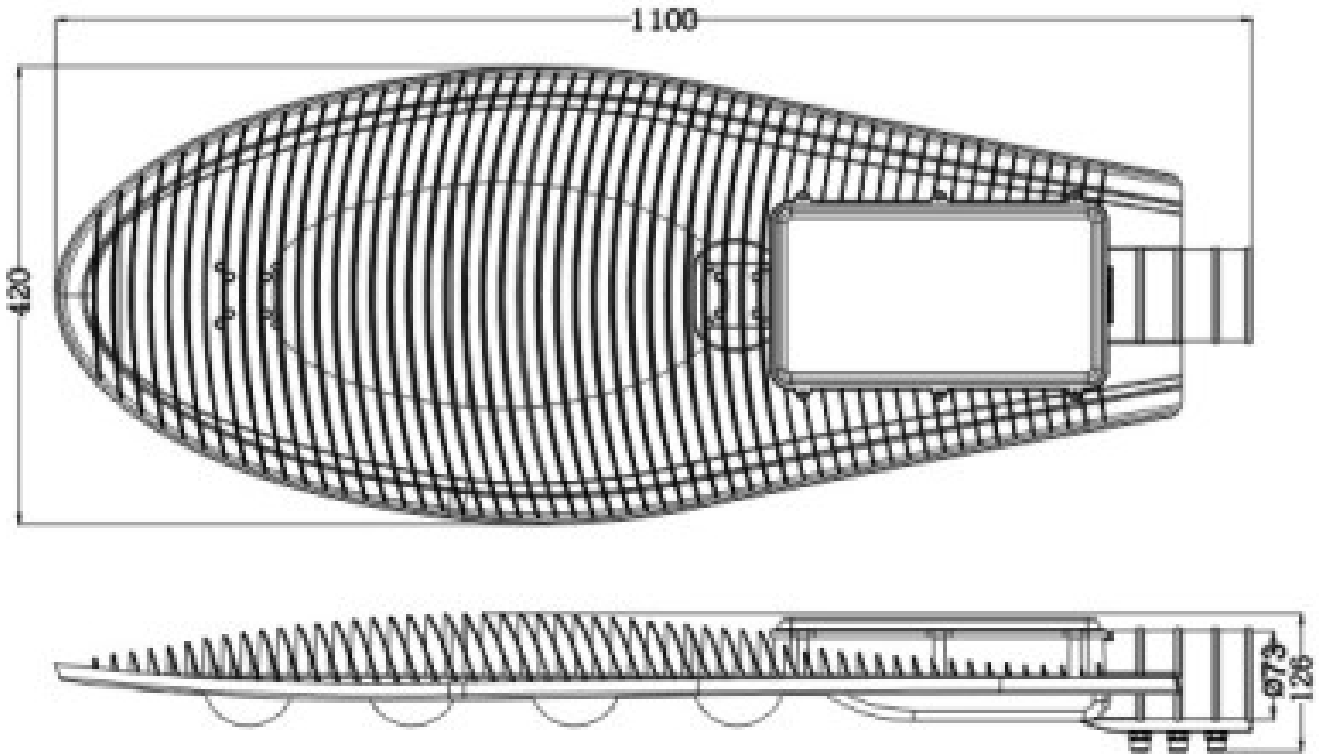


Product Photo:





Dimensions: (200W / 240W)



Product Photo:



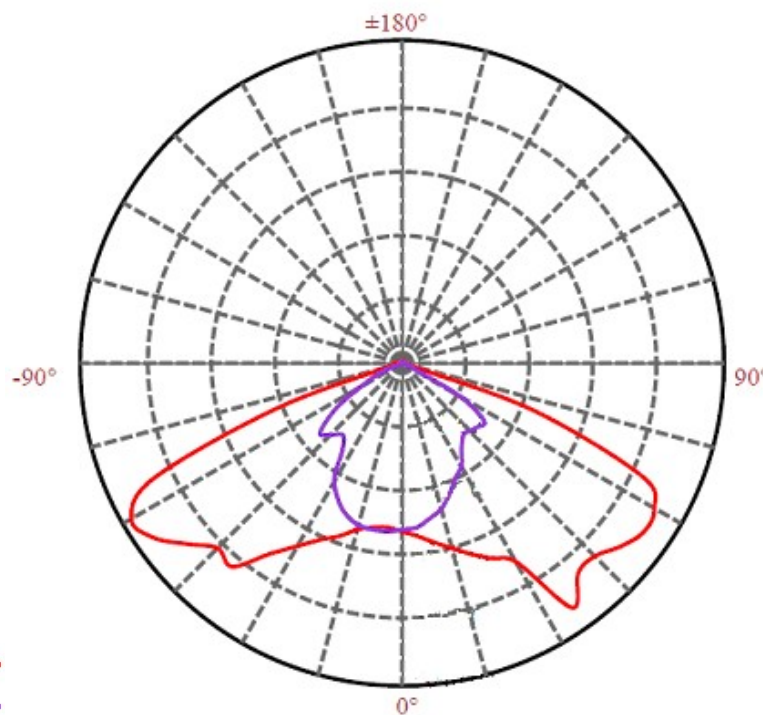
1. All dimensions are in millimeters.
2. Tolerance is ± 10 mm unless otherwise noted.



Parameters:

Input Voltage	AC90~305V / 50~60Hz
Power Factor	> 0.95
Input Power	30W±5、50W±5、60W±5、80W±5、100W±10、120W±10、150W±10、180W±10、200W±10、240W±10
Luminous Flux Output	>110 Lm / W (for 6000K±600 CCT& 4500K±450 CCT) >100 Lm / W (for 3000K±300 CCT)
Ra	>72
Beam Angle	130° * 60°
Operating Temperature	-40°C ~ +60°C
Environment Temperature	-40°C ~ +60°C
Life Time	>30000H
Waterproof Rating	IP65
Product Standard	CE / ROHS

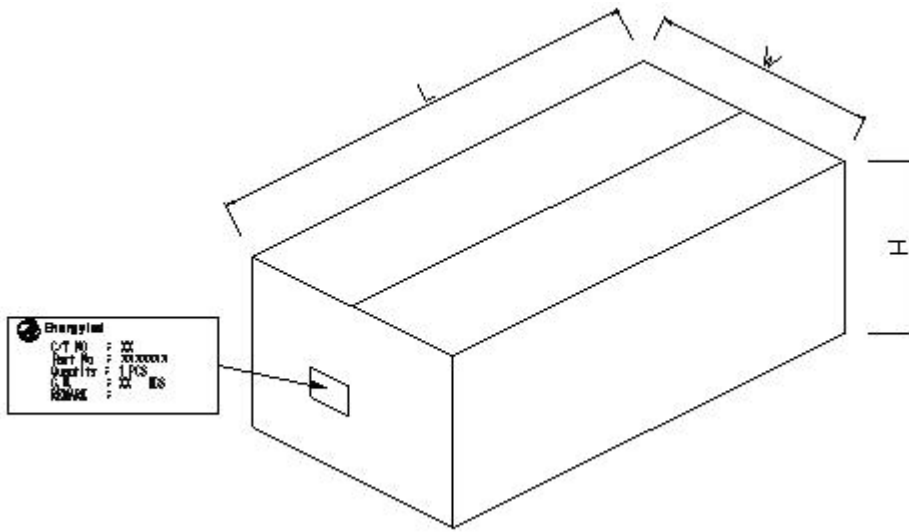
Light Distribution Curve (Unit: cd)



C0/C180: 
C90/C270: 



Encased Type



PART NO.	Quantity	G.W (Kg)	L(mm)	W(mm)	H(mm)
BA30xGSWW0002	1 PCS	3	550	230	125
BA50xGSWW0002	1 PCS	3	550	230	125
BA60xGSWW0002	1 PCS	4.4	665	305	140
BA80xGSWW0002	1 PCS	4.4	665	305	140
BA0DxGSWW0002	1 PCS	6	760	305	140
BA0AxGSWW0002	1 PCS	6	760	305	140
BA0BxGSWW0002	1 PCS	8.5	930	365	145
BA0ExGSWW0002	1 PCS	8.5	930	365	145
BA0CxGSWW0002	1 PCS	13.4	1160	455	165
BA0FxGSWW0002	1 PCS	13.4	1160	455	165