



Energyled

6F.,NO.542-4,Zhongzheng Rd ., Xindian Dist.,
,New Taipei City 231,Taiwan (R.O.C)
TEL : 886-2-7729-0589
FAX : 886-2-7729-1871
<http://www.energyled.com>

SPECIFICATION

PART NO. : BAxxCHHWWx409

四代天井燈

Low / High Bay Light



IP66

Approved by

Checked by

Prepared by

Gary

Tony shen

Jason lee

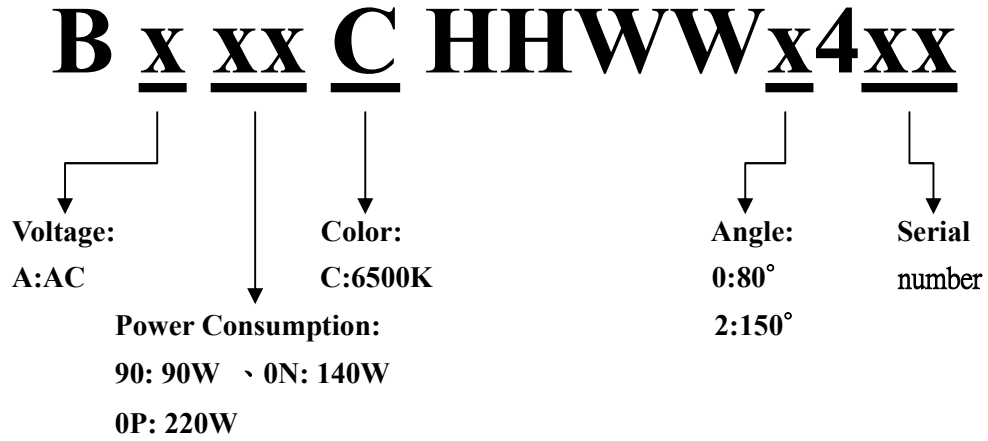


MODIFY RECORD

TAKE EFFECT DATE	MODIFY ISSUES	REMARKS

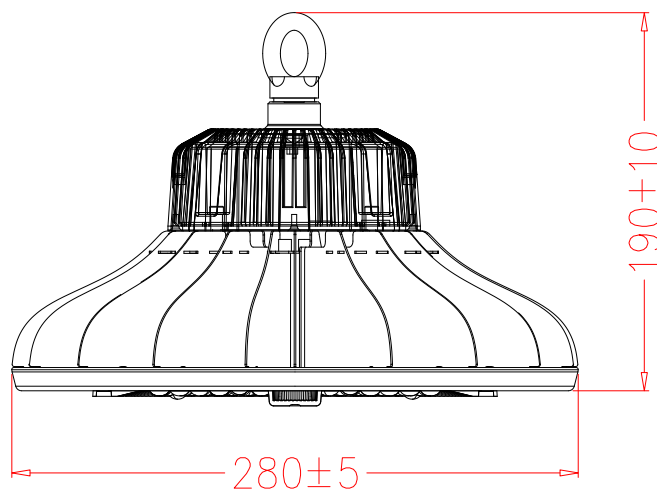


Part Number Information:



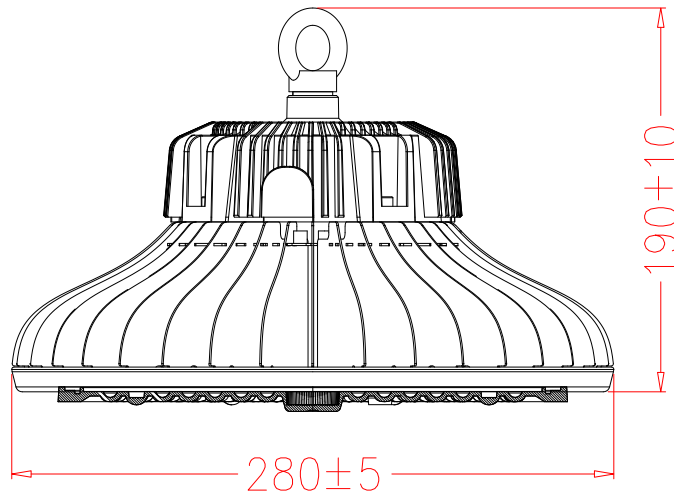
Dimensions(尺寸):

90W:

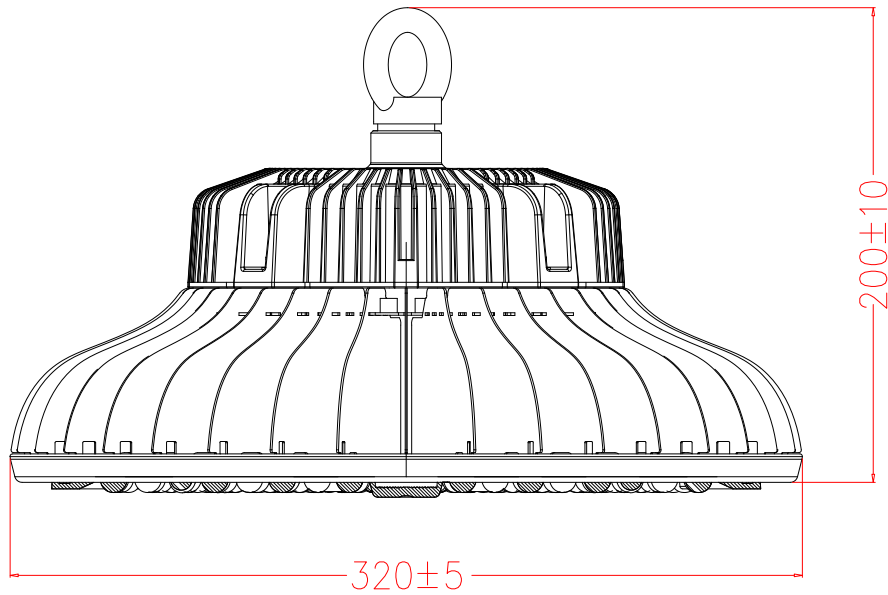




140W:



220W:



1. All dimensions are in millimeters.
2. Tolerance is ± 0.5 mm (± 0.02 inch) unless otherwise noted.

**Description**

Part No.	Emitting Color	CCT	Operation Voltage
BAxxCHHWWx409	White	6500K	90-305 VAC
		WE、WF、WG	

Absolute Maximum Ratings at Ta=25 °C

Parameter	Symbol	Rating	Unit
Operating Temperature Range	Topr.	-40 to +50	°C
Storage Temperature Range	Tstg.	-40 to +60	°C
Electric Static Discharge Threshold (HBM)	ESD	6000	V
Operating Humidity (non – condensing)	%	20~90	RH

**Electrical And Optical Characteristics(光電特性):****BA90CHHWWx409 Series**

PART NO. : BA90CHHWW0409	Symbol	Condition	Min.	Typ.	Max.	Unit
Parameter						
Luminous Flux	Φ_v	90-305 VAC	11480	11650	-	lm
Correlated Color Temperature	CCT	90-305 VAC	6000	6500	7000	K
Color Index	%	90-305 VAC	80	-	-	Ra
Beam Angle(50%)	$\Delta \theta$	90-305 VAC	--	50°	--	Deg
Field Angle(10%)	$\Delta \theta$	90-305 VAC	--	80°	--	Deg
Illuminance @ 1M distance		90-305 VAC	14100	16600	--	Lux
Illuminance @ 6M distance		90-305 VAC	390	460	--	Lux
Illuminance @ 8M distance		90-305 VAC	220	260	--	Lux
Illuminance @ 10M distance		90-305 VAC	130	160	--	Lux
Illuminance @ 12M distance		90-305 VAC	90	110	--	Lux
Power Consumption	P _D	90-305 VAC	85	90	95	W
Power Factor		90-305 VAC	0.92	0.95	--	
Finished weight			--	2.2	2.7	kg



PART NO. : BA90CHHWW2409	Symbol	Condition	Min.	Typ.	Max.	Unit
Parameter						
Luminous Flux	Φ_v	90-305 VAC	10800	12000	-	lm
Correlated Color Temperature	CCT	90-305 VAC	6000	6500	7000	K
Color Index	%	90-305 VAC	80	-	-	Ra
Beam Angle(50%)	$\Delta \theta$	90-305 VAC	--	120°	--	Deg
Field Angle(10%)	$\Delta \theta$	90-305 VAC	--	150°	--	Deg
Illuminance @ 1M distance		90-305 VAC	3450	4100	--	Lux
Illuminance @ 6M distance		90-305 VAC	90	110	--	Lux
Illuminance @ 8M distance		90-305 VAC	55	65	--	Lux
Illuminance @ 10M distance		90-305 VAC	35	40	--	Lux
Illuminance @ 12M distance		90-305 VAC	20	25	--	Lux
Power Consumption	P _D	90-305 VAC	85	90	95	W
Power Factor		90-305 VAC	0.92	0.95	--	
Finished weight			--	2.2	2.7	kg

**BA0NCHHWWx409 Series**

PART NO. : BA0NCHHWW0409	Symbol	Condition	Min.	Typ.	Max.	Unit
Parameter						
Luminous Flux	Φ_v	90-305 VAC	17410	19350	-	lm
Correlated Color Temperature	CCT	90-305 VAC	6000	6500	7000	K
Color Index	%	90-305 VAC	70	-	-	Ra
Beam Angle(50%)	$\Delta \theta$	90-305 VAC	--	50°	--	Deg
Field Angle(10%)	$\Delta \theta$	90-305 VAC	--	80°	--	Deg
Illuminance @ 1M distance		90-305 VAC	21600	25500	--	Lux
Illuminance @ 8M distance		90-305 VAC	340	400	--	Lux
Illuminance @ 10M distance		90-305 VAC	210	250	--	Lux
Illuminance @ 12M distance		90-305 VAC	145	170	--	Lux
Illuminance @ 15M distance		90-305 VAC	90	110	--	Lux
Power Consumption	PD	90-305 VAC	130	140	150	W
Power Factor		90-305 VAC	0.92	0.95	--	
Finished weight			--	3.2	3.7	kg



PART NO. : BA0NCHHWW2409	Symbol	Condition	Min.	Typ.	Max.	Unit
Parameter						
Luminous Flux	Φ_v	90-305 VAC	18000	20000	-	lm
Correlated Color Temperature	CCT	90-305 VAC	6000	6500	7000	K
Color Index	%	90-305 VAC	80	-	-	Ra
Beam Angle(50%)	$\Delta \theta$	90-305 VAC	--	120°	--	Deg
Field Angle(10%)	$\Delta \theta$	90-305 VAC	--	150°	--	Deg
Illuminance @ 1M distance		90-305 VAC	5700	6800	--	Lux
Illuminance @ 8M distance		90-305 VAC	80	100	--	Lux
Illuminance @ 10M distance		90-305 VAC	60	70	--	Lux
Illuminance @ 12M distance		90-305 VAC	30	40	--	Lux
Illuminance @ 15M distance		90-305 VAC	20	30	--	Lux
Power Consumption	P _D	90-305 VAC	130	140	150	W
Power Factor		90-305 VAC	0.92	0.95	--	
Finished weight			--	3.2	3.7	kg

**BA0PCHHWWx409 Series**

PART NO. : BA0PCHHWW0409	Symbol	Condition	Min.	Typ.	Max.	Unit
Parameter						
Luminous Flux	Φ_v	90-305 VAC	25300	28200	-	lm
Correlated Color Temperature	CCT	90-305 VAC	6000	6500	7000	K
Color Index	%	90-305 VAC	80	-	-	Ra
Beam Angle(50%)	$\Delta \theta$	90-305 VAC	--	50°	--	Deg
Field Angle(10%)	$\Delta \theta$	90-305 VAC	--	80°	--	Deg
Illuminance @ 1M distance		90-305 VAC	26200	30900	--	Lux
Illuminance @ 8M distance		90-305 VAC	400	480	--	Lux
Illuminance @ 10M distance		90-305 VAC	250	310	--	Lux
Illuminance @ 12M distance		90-305 VAC	180	210	--	Lux
Illuminance @ 15M distance		90-305 VAC	110	130	--	Lux
Power Consumption	PD	90-305 VAC	210	220	230	W
Power Factor		90-305 VAC	0.92	0.95	--	
Finished weight			--	4.3	4.8	kg

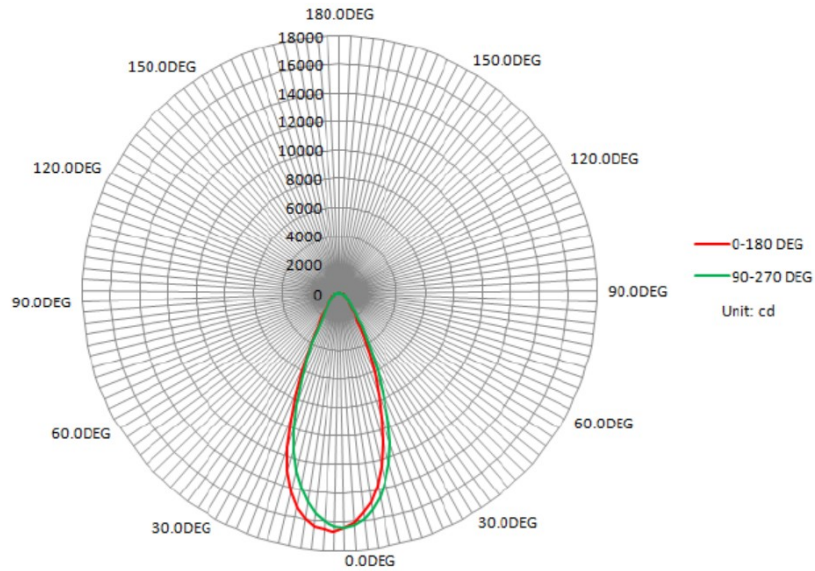


PART NO. : BA0PCHHWW2409	Symbol	Condition	Min.	Typ.	Max.	Unit
Parameter						
Luminous Flux	Φ_v	90-305 VAC	26400	29400	-	lm
Correlated Color Temperature	CCT	90-305 VAC	6000	6500	7000	K
Color Index	%	90-305 VAC	80	-	-	Ra
Beam Angle(50%)	$\Delta \theta$	90-305 VAC	--	120°	--	Deg
Field Angle(10%)	$\Delta \theta$	90-305 VAC	--	150°	--	Deg
Illuminance @ 1M distance		90-305 VAC	8500	10000	--	Lux
Illuminance @ 8M distance		90-305 VAC	120	150	--	Lux
Illuminance @ 10M distance		90-305 VAC	80	100	--	Lux
Illuminance @ 12M distance		90-305 VAC	60	70	--	Lux
Illuminance @ 15M distance		90-305 VAC	30	40	--	Lux
Power Consumption	P _D	90-305 VAC	210	220	230	W
Power Factor		90-305 VAC	0.92	0.95	--	
Finished weight			--	4.3	4.8	kg



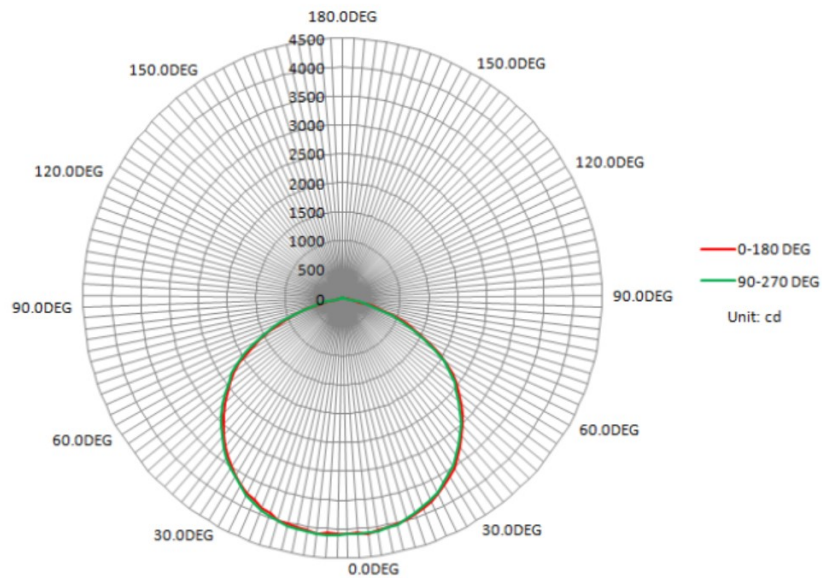
Radiation Diagram

Polar Luminous Intensity Distribution



BAxxCHHWW0409

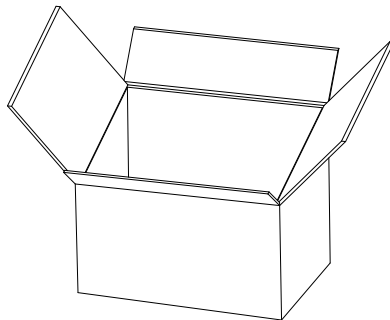
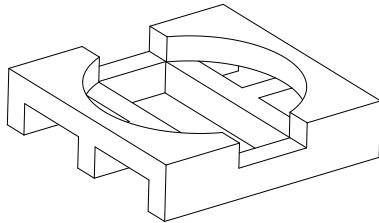
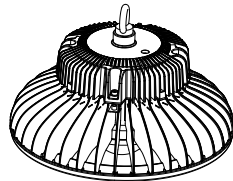
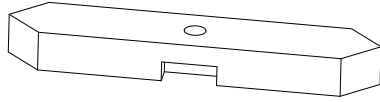
Polar Luminous Intensity Distribution



BAxxCHHWW2409



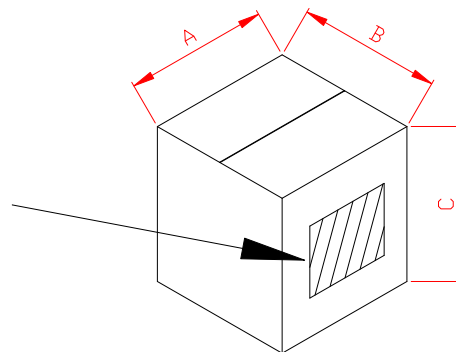
Packing method



PART NO 料號:				
POWER CONSUMPTION 功率:	<input type="checkbox"/> 100W	<input type="checkbox"/> 160W	<input type="checkbox"/> 240W	
COLOR TEMPERATURE 色溫:	<input type="checkbox"/> 3000K	<input type="checkbox"/> 6250K		
QUANTITY 數量:	1			PCS
N. N. 淨重:				KGS
G. W. 毛重:				KGS
REMARK 備註:				



印刷內容 尺寸:160*160



Part No.	A (mm)	B (mm)	C (mm)
BAxxxHHWWx409	365	365	276