



EnergyLED

6F.,NO.542-4,Zhongzheng Rd ., Xindian Dist.,
,New Taipei City 231,Taiwan (R.O.C)
TEL : 886-2-7729-0589
FAX : 886-2-7729-1871
<http://www.energyled.com>

SPECIFICATION

PART NO. : BAxxCHHWWx401

四代天井燈

Low / High Bay Light



Approved by

Checked by

Prepared by

Gary

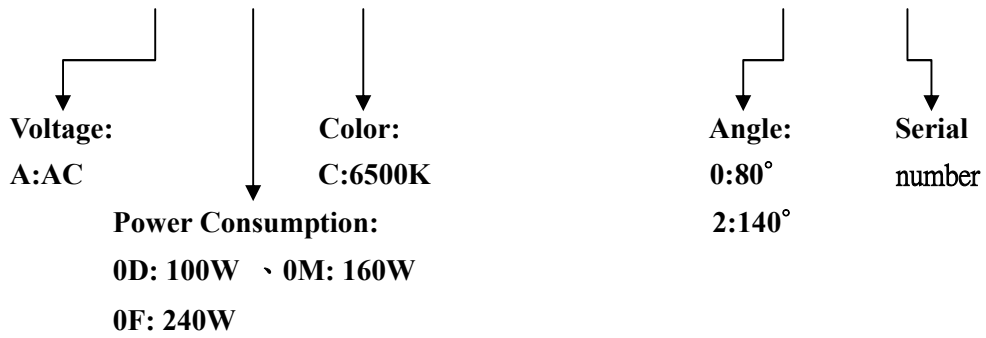
Tony shen

Jason lee



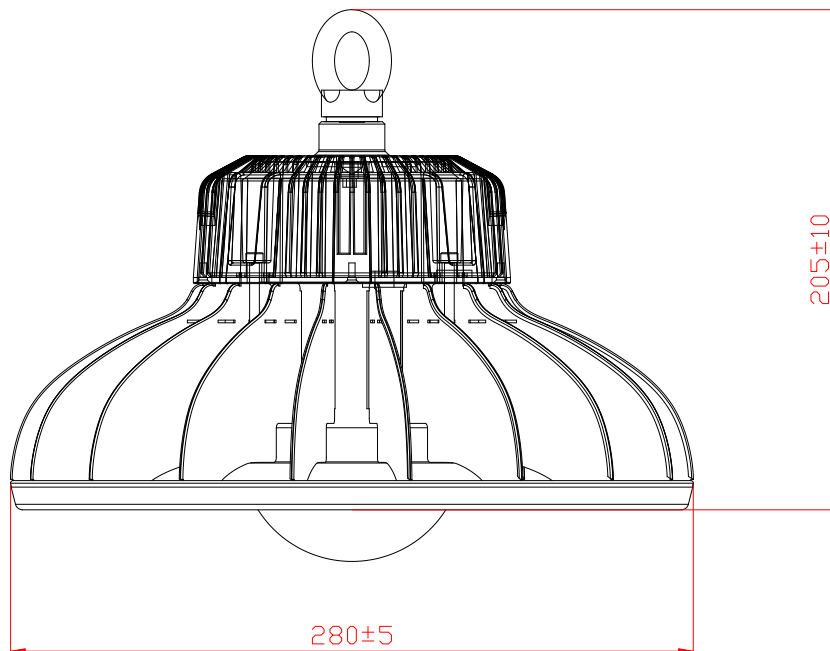
Part Number Information:

B x xx C HHWW x4xx



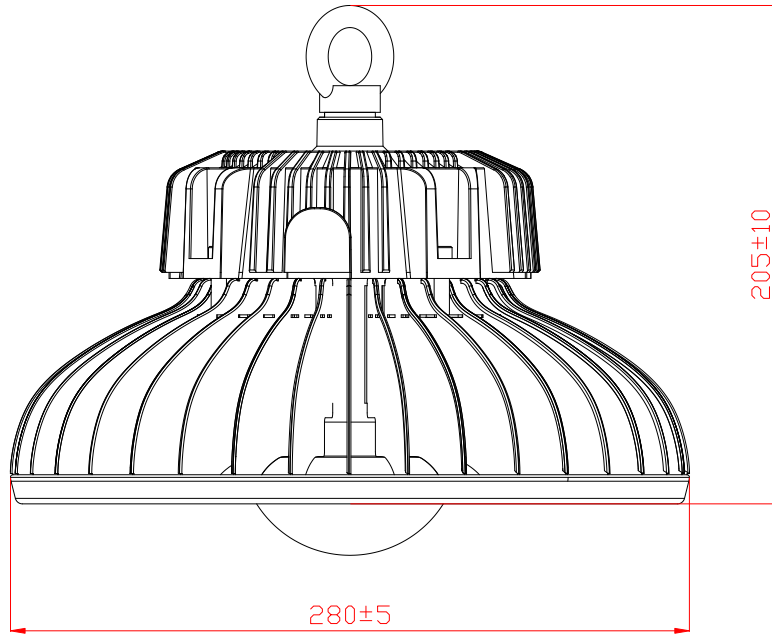
Dimensions(尺寸):

100W:

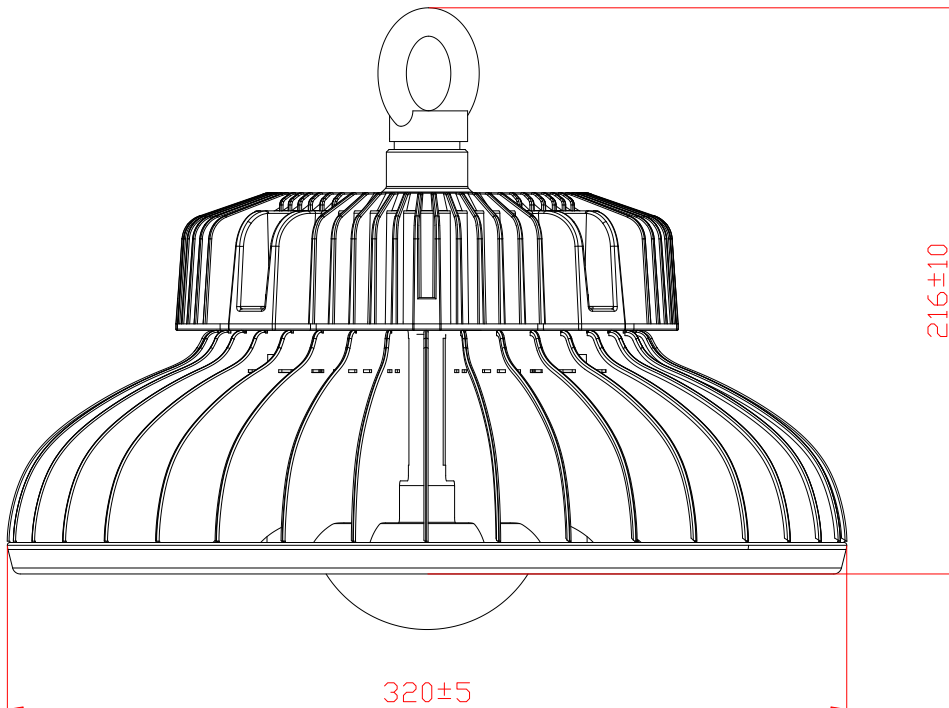




160W:



240W:



1. All dimensions are in millimeters.
2. Tolerance is ± 0.5 mm (± 0.02 inch) unless otherwise noted.

**Description**

Part No.	Emitting Color	CCT	Operation Voltage
BAxxCHHWWx401	White	6500K	90-305 VAC
		WE、WF、WG	

Absolute Maximum Ratings at Ta=25 °C

Parameter	Symbol	Rating	Unit
Operating Temperature Range	Topr.	-40 to +50	°C
Storage Temperature Range	Tstg.	-40 to +60	°C
Electric Static Discharge Threshold (HBM)	ESD	6000	V
Operating Humidity (non – condensing)	%	20~90	RH

**Electrical And Optical Characteristics(光電特性):****BA0DCHHWWx401 Series**

PART NO. : BA0DCHHWW0401	Symbol	Condition	Min.	Typ.	Max.	Unit
Parameter						
Luminous Flux	Φ_v	90-305 VAC	10820	12030	-	lm
Correlated Color Temperature	CCT	90-305 VAC	6000	6500	7000	K
Color Index	%	90-305 VAC	80	-	-	Ra
Beam Angle(50%)	$\Delta \theta$	90-305 VAC	--	70°	--	Deg
Field Angle(10%)	$\Delta \theta$	90-305 VAC	--	80°	--	Deg
Illuminance @ 1M distance		90-305 VAC	8200	9600	--	Lux
Illuminance @ 6M distance		90-305 VAC	220	260	--	Lux
Illuminance @ 8M distance		90-305 VAC	120	140	--	Lux
Illuminance @ 10M distance		90-305 VAC	70	90	--	Lux
Illuminance @ 12M distance		90-305 VAC	60	80	--	Lux
Power Consumption	P _D	90-305 VAC	90	100	110	W
Power Factor		90-305 VAC	0.92	0.95	--	
Finished weight			--	3.2	3.5	kg



PART NO. : BA0DCHHWW2401	Symbol	Condition	Min.	Typ.	Max.	Unit
Parameter						
Luminous Flux	Φ_v	90-305 VAC	11100	12400	-	lm
Correlated Color Temperature	CCT	90-305 VAC	6000	6500	7000	K
Color Index	%	90-305 VAC	80	-	-	Ra
Beam Angle(50%)	$\Delta \theta$	90-305 VAC	--	90°	--	Deg
Field Angle(10%)	$\Delta \theta$	90-305 VAC	--	140°	--	Deg
Illuminance @ 1M distance		90-305 VAC	4600	5500	--	Lux
Illuminance @ 6M distance		90-305 VAC	120	150	--	Lux
Illuminance @ 8M distance		90-305 VAC	60	80	--	Lux
Illuminance @ 10M distance		90-305 VAC	30	40	--	Lux
Illuminance @ 12M distance		90-305 VAC	20	30	--	Lux
Power Consumption	P _D	90-305 VAC	90	100	110	W
Power Factor		90-305 VAC	0.92	0.95	--	
Finished weight			--	3.2	3.5	kg

**BA0MCHHWWx401 Series**

PART NO. : BA0MCHHWW0401	Symbol	Condition	Min.	Typ.	Max.	Unit
Parameter						
Luminous Flux	Φ_v	90-305 VAC	17200	19100	-	lm
Correlated Color Temperature	CCT	90-305 VAC	6000	6500	7000	K
Color Index	%	90-305 VAC	80	-	-	Ra
Beam Angle(50%)	$\Delta \theta$	90-305 VAC	--	70°	--	Deg
Field Angle(10%)	$\Delta \theta$	90-305 VAC	--	80°	--	Deg
Illuminance @ 1M distance		90-305 VAC	13000	15400	--	Lux
Illuminance @ 8M distance		90-305 VAC	190	230	--	Lux
Illuminance @ 10M distance		90-305 VAC	130	150	--	Lux
Illuminance @ 12M distance		90-305 VAC	85	100	--	Lux
Illuminance @ 15M distance		90-305 VAC	50	60	--	Lux
Power Consumption	PD	90-305 VAC	150	160	170	W
Power Factor		90-305 VAC	0.92	0.95	--	
Finished weight			--	3.8	4.3	kg



PART NO. : BA0MCHHWW2401	Symbol	Condition	Min.	Typ.	Max.	Unit
Parameter						
Luminous Flux	Φ_v	90-305 VAC	17600	19600	-	lm
Correlated Color Temperature	CCT	90-305 VAC	6000	6500	7000	K
Color Index	%	90-305 VAC	80	-	-	Ra
Beam Angle(50%)	$\Delta \theta$	90-305 VAC	--	90°	--	Deg
Field Angle(10%)	$\Delta \theta$	90-305 VAC	--	140°	--	Deg
Illuminance @ 1M distance		90-305 VAC	7400	8800	--	Lux
Illuminance @ 8M distance		90-305 VAC	110	130	--	Lux
Illuminance @ 10M distance		90-305 VAC	60	80	--	Lux
Illuminance @ 12M distance		90-305 VAC	40	50	--	Lux
Illuminance @ 15M distance		90-305 VAC	20	30	--	Lux
Power Consumption	P _D	90-305 VAC	150	160	170	W
Power Factor		90-305 VAC	0.92	0.95	--	
Finished weight			--	3.8	4.3	kg

**BA0FCHHWWx401 Series**

PART NO. : BA0FCHHWW0401	Symbol	Condition	Min.	Typ.	Max.	Unit
Parameter						
Luminous Flux	Φ_v	90-305 VAC	23200	25800	-	lm
Correlated Color Temperature	CCT	90-305 VAC	6000	6500	7000	K
Color Index	%	90-305 VAC	80	-	-	Ra
Beam Angle(50%)	$\Delta \theta$	90-305 VAC	--	70°	--	Deg
Field Angle(10%)	$\Delta \theta$	90-305 VAC	--	80°	--	Deg
Illuminance @ 1M distance		90-305 VAC	18500	21800	--	Lux
Illuminance @ 8M distance		90-305 VAC	270	340	--	Lux
Illuminance @ 10M distance		90-305 VAC	170	210	--	Lux
Illuminance @ 12M distance		90-305 VAC	120	140	--	Lux
Illuminance @ 15M distance		90-305 VAC	70	90	--	Lux
Power Consumption	PD	90-305 VAC	230	240	250	W
Power Factor		90-305 VAC	0.92	0.95	--	
Finished weight			--	4.8	5.3	kg

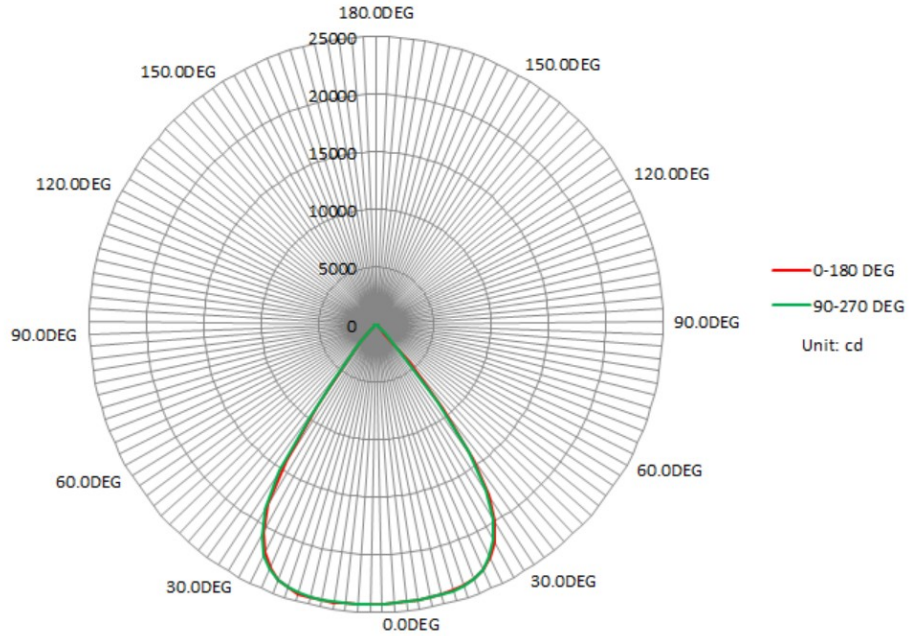


PART NO. : BA0FCHHWW2401	Symbol	Condition	Min.	Typ.	Max.	Unit
Parameter						
Luminous Flux	Φ_v	90-305 VAC	24300	27000	-	lm
Correlated Color Temperature	CCT	90-305 VAC	6000	6500	7000	K
Color Index	%	90-305 VAC	80	-	-	Ra
Beam Angle(50%)	$\Delta \theta$	90-305 VAC	--	90°	--	Deg
Field Angle(10%)	$\Delta \theta$	90-305 VAC	--	140°	--	Deg
Illuminance @ 1M distance		90-305 VAC	10600	12500	--	Lux
Illuminance @ 8M distance		90-305 VAC	160	190	--	Lux
Illuminance @ 10M distance		90-305 VAC	100	120	--	Lux
Illuminance @ 12M distance		90-305 VAC	60	80	--	Lux
Illuminance @ 15M distance		90-305 VAC	40	50	--	Lux
Power Consumption	PD	90-305 VAC	230	240	250	W
Power Factor		90-305 VAC	0.92	0.95	--	
Finished weight			--	4.8	5.3	kg



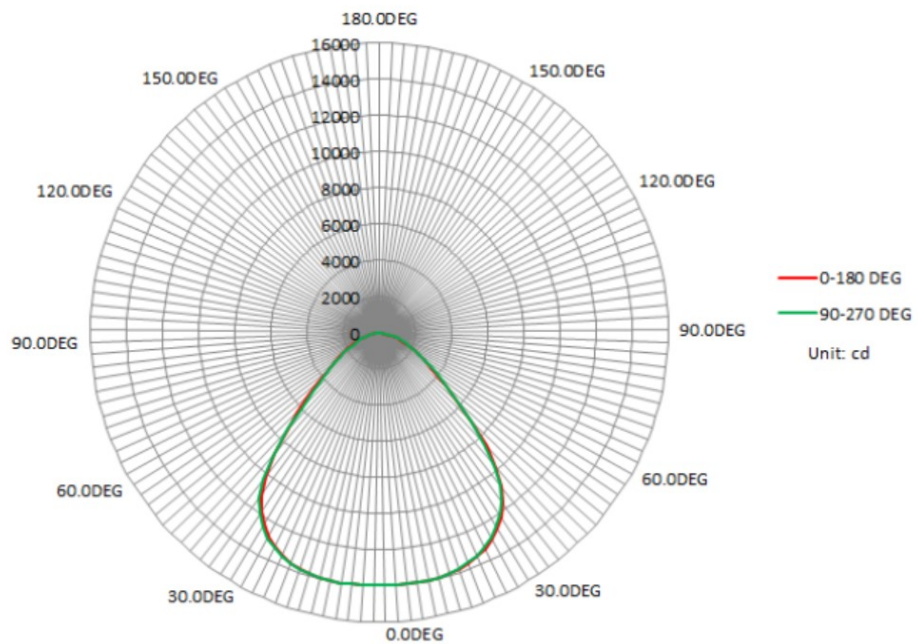
Radiation Diagram

Polar Luminous Intensity Distribution



BAxxCHHWW0401

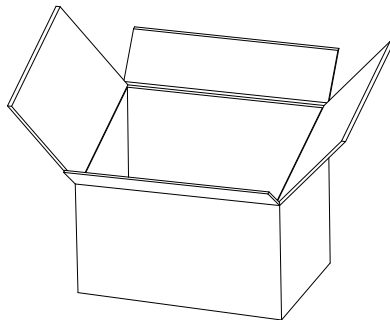
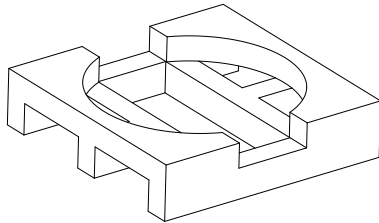
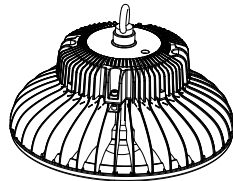
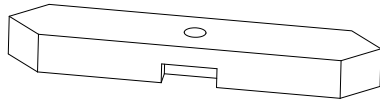
Polar Luminous Intensity Distribution



BAxxCHHWW2401



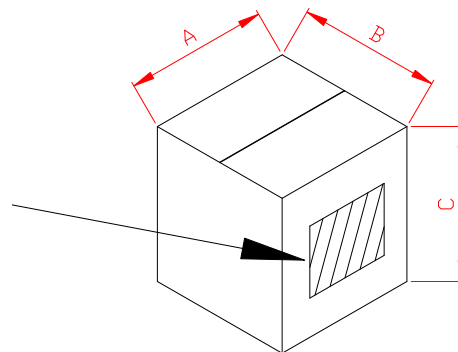
Packing method



PART NO 料號:				
POWER CONSUMPTION 功率:	<input type="checkbox"/> 100W	<input type="checkbox"/> 160W	<input type="checkbox"/> 240W	
COLOR TEMPERATURE 色溫:	<input type="checkbox"/> 3000K	<input type="checkbox"/> 6250K		
QUANTITY 數量:	1			PCS
N. N. 淨重:				KGS
G. W. 毛重:				KGS
REMARK 備註:				



印刷內容 尺寸:160*160



Part No.	A (mm)	B (mm)	C (mm)
BAxxxHHWWx401	365	365	276