



EnergyLED

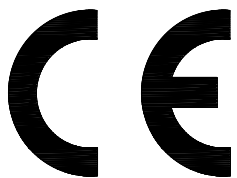
6F.,NO.542-4,Zhongzheng Rd ., Xindian Dist.,
,New Taipei City 231,Taiwan (R.O.C)
TEL : 886-2-7729-0589
FAX : 886-2-7729-1871
<http://www.energyled.com>

SPECIFICATION

PART NO. : BAxxCGHWWx301

三代天井燈

Low / High Bay Light



IP65 SVHC ROHS

Approved by

Checked by

Prepared by

Gary

Tony shen

Jason lee



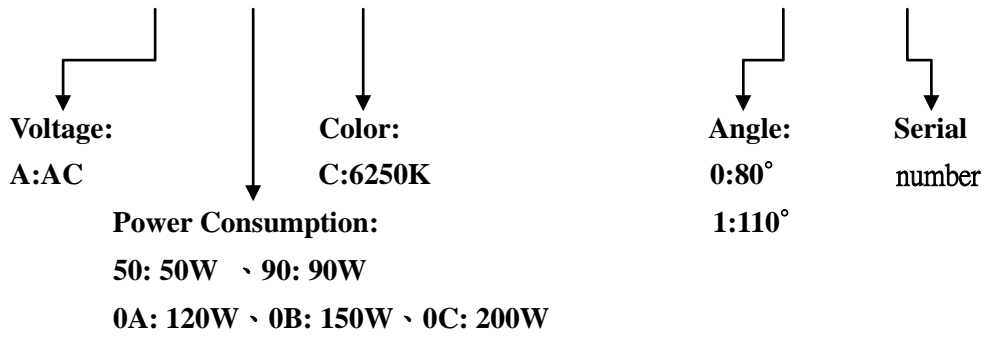
MODIFY RECORD

TAKE EFFECT DATE	MODIFY ISSUES	REMARKS
2013.6.5	依各瓦數需求新增 1M、4M、5M、6M、8M、10M、12M、15M 照度資料	回收 01 版發行 02 版
2015.7.24	1.所有瓦數流明數據提升 10%。 2.新增 Power Factor 數據 3.各瓦數功率由正負 15%改成正負 10%，並增加下限值。	回收 02 版發行 03 版
2017.3.21	1.所有瓦數流明數據更新。	回收 03 版發行 04 版



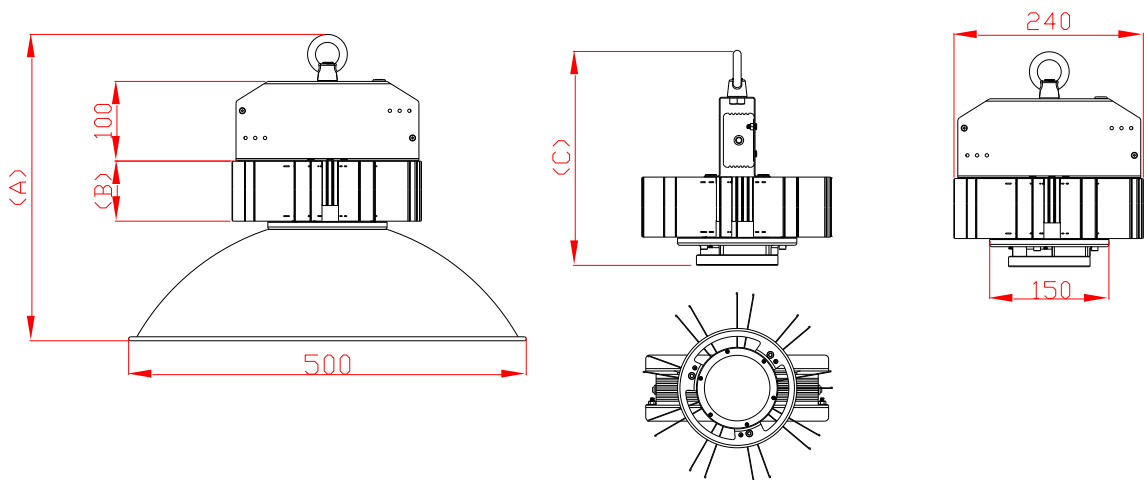
Part Number Information:

B x xx C GHWWx3xx



Dimensions(尺寸):

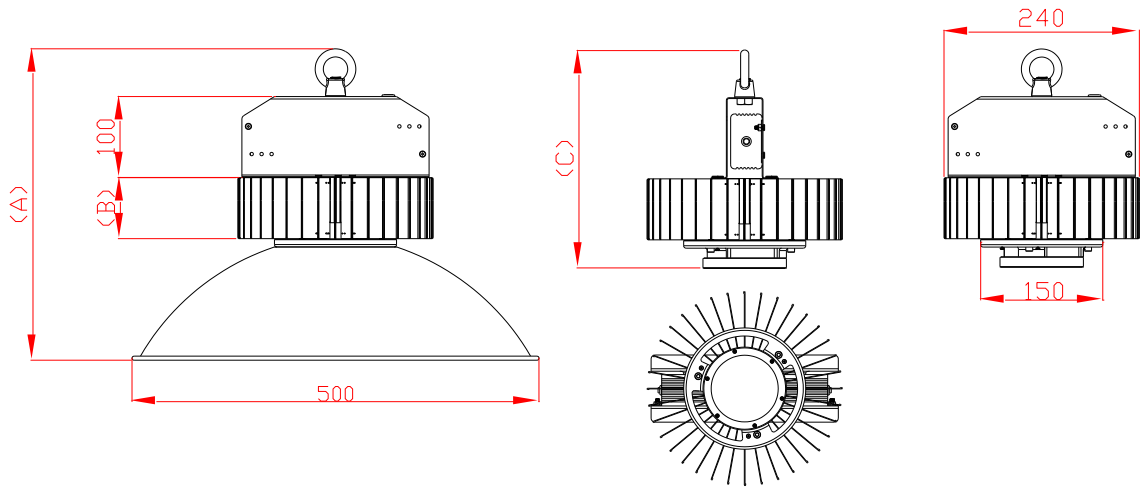
50W 、 90W:



PART NO.	(A) ± 3.0(mm)	(B) ± 3.0(mm)	(C) ± 3.0(mm)
BA50CGHWW03xx	385 mm	75 mm	290 mm
BA50CGHWW13xx	385 mm	75 mm	270 mm
BA90CGHWW03xx	385 mm	75mm	290 mm
BA90CGHWW13xx	385 mm	75 mm	270 mm

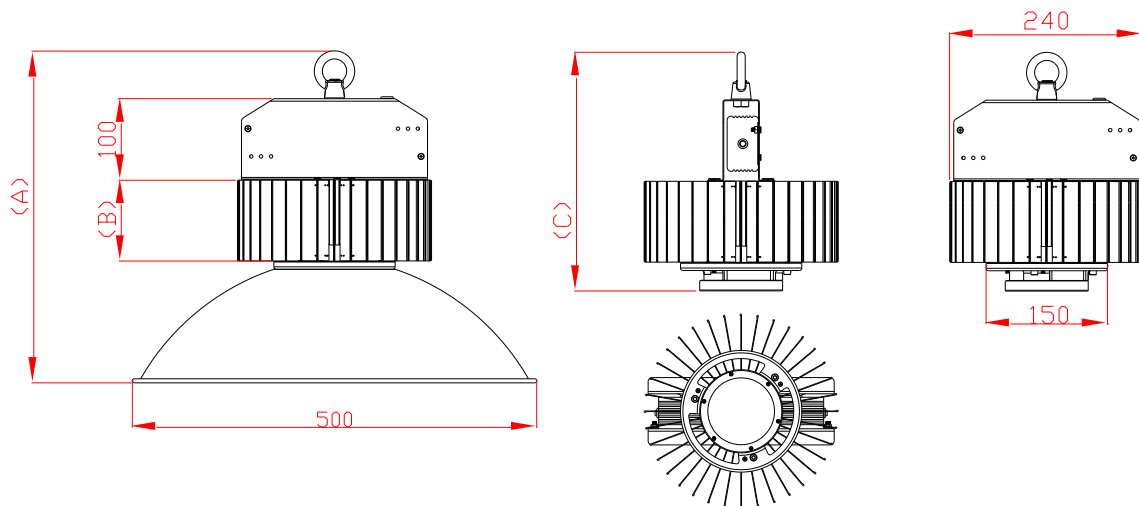


120W、150W:



PART NO.	(A) ± 3.0(mm)	(B) ± 3.0(mm)	(C) ± 3.0(mm)
BA0ACGHWW03xx	385 mm	75 mm	290 mm
BA0ACGHWW13xx	385 mm	75 mm	270 mm
BA0BCGHWW03xx	385 mm	75 mm	290 mm
BA0BCGHWW13xx	385 mm	75 mm	270 mm

200W:



PART NO.	(A) ± 3.0(mm)	(B) ± 3.0(mm)	(C) ± 3.0(mm)
BA0CCGHWW03xx	410 mm	100 mm	315 mm
BA0CCGHWW13xx	410 mm	100 mm	295 mm

1. All dimensions are in millimeters.
2. Tolerance is ±0.5 mm(±0.02 inch) unless otherwise noted.

**Description**

Part No.	Emitting Color	CCT	Operation Voltage
BAxxCGHWWx301	White	6250K	90-305 VAC
		WE、WF、WG	

Absolute Maximum Ratings at Ta=25 °C

Parameter	Symbol	Rating	Unit
Operating Temperature Range	Topr.	-40 to +50	°C
Storage Temperature Range	Tstg.	-40 to +60	°C
Electric Static Discharge Threshold (HBM)	ESD	6000	V
Operating Humidity (non – condensing)	%	20~90	RH

**Electrical And Optical Characteristics(光電特性):****BA50CGHWWx301 Series**

PART NO. : BA50CGHWW0301	Symbol	Condition	Min.	Typ.	Max.	Unit
Parameter						
Luminous Flux	Φ_v	90-305 VAC	4950	5500	-	lm
Correlated Color Temperature	CCT	90-305 VAC	5750	6250	6750	K
Color Index	%	90-305 VAC	70	-	-	Ra
Viewing Angle	$\Delta \theta$	90-305 VAC	--	80°	--	Deg
Illuminance @ 1M distance		90-305 VAC	7730	9100	--	Lux
Illuminance @ 4M distance		90-305 VAC	480	560	--	Lux
Illuminance @ 5M distance		90-305 VAC	310	360	--	Lux
Illuminance @ 6M distance		90-305 VAC	210	250	--	Lux
Illuminance @ 8M distance		90-305 VAC	120	140	--	Lux
Power Consumption	PD	90-305 VAC	45	50	55	W
Power Factor		90-305 VAC	0.92	0.95	--	
Finished weight			--	3	3.5	kg



PART NO. : BA50CGHWW1301	Symbol	Condition	Min.	Typ.	Max.	Unit
Parameter						
Luminous Flux	Φ_v	90-305 VAC	5050	5610	-	lm
Correlated Color Temperature	CCT	90-305 VAC	5750	6250	6750	K
Color Index	%	90-305 VAC	70	-	-	Ra
Viewing Angle	$\Delta \theta$	90-305 VAC	--	110°	--	Deg
Illuminance @ 1M distance		90-305 VAC	3740	4400	--	Lux
Illuminance @ 4M distance		90-305 VAC	230	270	--	Lux
Illuminance @ 5M distance		90-305 VAC	150	170	--	Lux
Illuminance @ 6M distance		90-305 VAC	100	120	--	Lux
Illuminance @ 8M distance		90-305 VAC	60	70	--	Lux
Power Consumption	PD	90-305 VAC	45	50	55	W
Power Factor		90-305 VAC	0.92	0.95	--	
Finished weight			--	3	3.5	kg

**BA90CGHWWx301 Series**

PART NO. : BA90CGHWW0301	Symbol	Condition	Min.	Typ.	Max.	Unit
Parameter						
Luminous Flux	Φ_v	90-305 VAC	7660	8510	-	lm
Correlated Color Temperature	CCT	90-305 VAC	5750	6250	6750	K
Color Index	%	90-305 VAC	70	-	-	Ra
Viewing Angle	$\Delta \theta$	90-305 VAC	--	80°	--	Deg
Illuminance @ 1M distance		90-305 VAC	11830	13920	--	Lux
Illuminance @ 5M distance		90-305 VAC	470	550	--	Lux
Illuminance @ 8M distance		90-305 VAC	180	210	--	Lux
Illuminance @ 10M distance		90-305 VAC	110	140	--	Lux
Illuminance @ 12M distance		90-305 VAC	80	90	--	Lux
Power Consumption	PD	90-305 VAC	76	85	94	W
Power Factor		90-305 VAC	0.92	0.95	--	
Finished weight			--	3	3.5	kg



PART NO. : BA90CGHWW1301	Symbol	Condition	Min.	Typ.	Max.	Unit
Parameter						
Luminous Flux	Φ_v	90-305 VAC	7940	8830	-	lm
Correlated Color Temperature	CCT	90-305 VAC	5750	6250	6750	K
Color Index	%	90-305 VAC	70	-	-	Ra
Viewing Angle	$\Delta \theta$	90-305 VAC	--	110°	--	Deg
Illuminance @ 1M distance		90-305 VAC	5820	6850	--	Lux
Illuminance @ 5M distance		90-305 VAC	230	270	--	Lux
Illuminance @ 8M distance		90-305 VAC	90	100	--	Lux
Illuminance @ 10M distance		90-305 VAC	60	70	--	Lux
Illuminance @ 12M distance		90-305 VAC	40	50	--	Lux
Power Consumption	PD	90-305 VAC	76	85	94	W
Power Factor		90-305 VAC	0.92	0.95	--	
Finished weight			--	3	3.5	kg

**BA0ACGHWWx301 Series**

PART NO. : BA0ACGHWW0301	Symbol	Condition	Min.	Typ.	Max.	Unit
Parameter						
Luminous Flux	Φ_v	90-305 VAC	10080	11200	-	lm
Correlated Color Temperature	CCT	90-305 VAC	5750	6250	6750	K
Color Index	%	90-305 VAC	70	-	-	Ra
Viewing Angle	$\Delta \theta$	90-305 VAC	--	80°	--	Deg
Illuminance @ 1M distance		90-305 VAC	15820	18620	--	Lux
Illuminance @ 8M distance		90-305 VAC	240	290	--	Lux
Illuminance @ 10M distance		90-305 VAC	150	180	--	Lux
Illuminance @ 12M distance		90-305 VAC	110	130	--	Lux
Illuminance @ 15M distance		90-305 VAC	70	80	--	Lux
Power Consumption	PD	90-305 VAC	108	120	132	W
Power Factor		90-305 VAC	0.92	0.95	--	
Finished weight			--	3.5	4	kg



PART NO. : BA0ACGHWW1301	Symbol	Condition	Min.	Typ.	Max.	Unit
Parameter						
Luminous Flux	Φ_v	90-305 VAC	10350	11500	-	lm
Correlated Color Temperature	CCT	90-305 VAC	5750	6250	6750	K
Color Index	%	90-305 VAC	70	-	-	Ra
Viewing Angle	$\Delta \theta$	90-305 VAC	--	110°	--	Deg
Illuminance @ 1M distance		90-305 VAC	6950	8200	--	Lux
Illuminance @ 8M distance		90-305 VAC	110	125	--	Lux
Illuminance @ 10M distance		90-305 VAC	70	80	--	Lux
Illuminance @ 12M distance		90-305 VAC	50	55	--	Lux
Illuminance @ 15M distance		90-305 VAC	30	35	--	Lux
Power Consumption	P _D	90-305 VAC	108	120	132	W
Power Factor		90-305 VAC	0.92	0.95	--	
Finished weight			--	3.5	4	kg

**BA0BCGHWWx301 Series**

PART NO. : BA0BCGHWW0301	Symbol	Condition	Min.	Typ.	Max.	Unit
Parameter						
Luminous Flux	Φ_v	90-305 VAC	12060	13400	-	lm
Correlated Color Temperature	CCT	90-305 VAC	5750	6250	6750	K
Color Index	%	90-305 VAC	70	-	-	Ra
Viewing Angle	$\Delta \theta$	90-305 VAC	--	80°	--	Deg
Illuminance @ 1M distance		90-305 VAC	19080	22450	--	Lux
Illuminance @ 8M distance		90-305 VAC	300	350	--	Lux
Illuminance @ 10M distance		90-305 VAC	190	220	--	Lux
Illuminance @ 12M distance		90-305 VAC	130	150	--	Lux
Illuminance @ 15M distance		90-305 VAC	85	100	--	Lux
Power Consumption	PD	90-305 VAC	135	150	165	W
Power Factor		90-305 VAC	0.92	0.95	--	
Finished weight			--	3.5	4	kg



PART NO. : BA0BCGHWW1301	Symbol	Condition	Min.	Typ.	Max.	Unit
Parameter						
Luminous Flux	Φ_v	90-305 VAC	12690	14100	-	lm
Correlated Color Temperature	CCT	90-305 VAC	5750	6250	6750	K
Color Index	%	90-305 VAC	70	-	-	Ra
Viewing Angle	$\Delta \theta$	90-305 VAC	--	110°	--	Deg
Illuminance @ 1M distance		90-305 VAC	9830	11570		Lux
Illuminance @ 8M distance		90-305 VAC	150	180		Lux
Illuminance @ 10M distance		90-305 VAC	100	110		Lux
Illuminance @ 12M distance		90-305 VAC	65	80		Lux
Illuminance @ 15M distance		90-305 VAC	45	50		Lux
Power Consumption	P _D	90-305 VAC	135	150	165	W
Power Factor		90-305 VAC	0.92	0.95	--	
Finished weight			--	3.5	4	kg

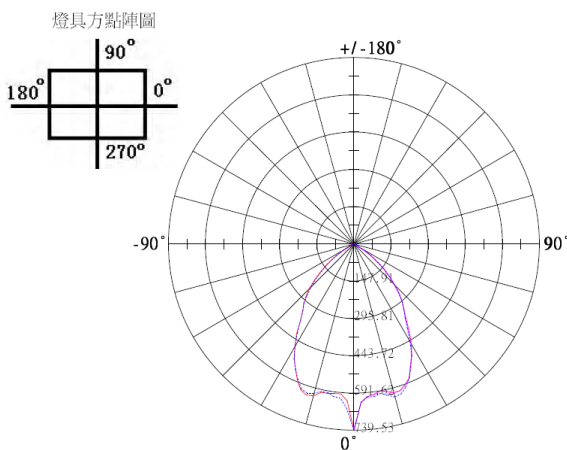
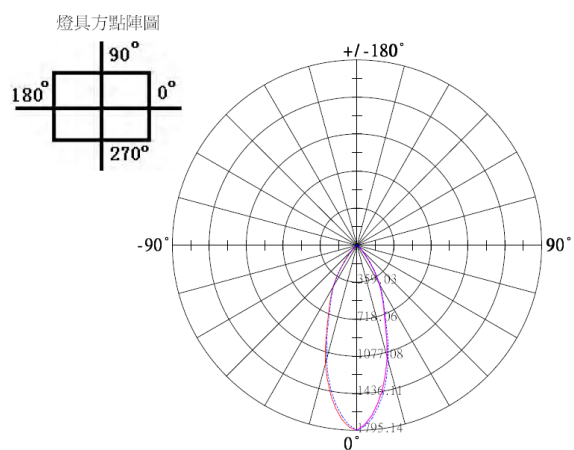
**BA0CCGHWWx301 Series**

PART NO. : BA0CCGHWW0301	Symbol	Condition	Min.	Typ.	Max.	Unit
Parameter						
Luminous Flux	Φ_v	90-305 VAC	15390	17100	-	lm
Correlated Color Temperature	CCT	90-305 VAC	5750	6250	6750	K
Color Index	%	90-305 VAC	70	-	-	Ra
Viewing Angle	$\Delta \theta$	90-305 VAC	--	80°	--	Deg
Illuminance @ 1M distance		90-305 VAC	26370	31025	--	Lux
Illuminance @ 8M distance		90-305 VAC	410	485	--	Lux
Illuminance @ 10M distance		90-305 VAC	265	310	--	Lux
Illuminance @ 12M distance		90-305 VAC	180	215	--	Lux
Illuminance @ 15M distance		90-305 VAC	115	135	--	Lux
Power Consumption	PD	90-305 VAC	171	190	209	W
Power Factor		90-305 VAC	0.92	0.95	--	
Finished weight			-	4	4.5	kg



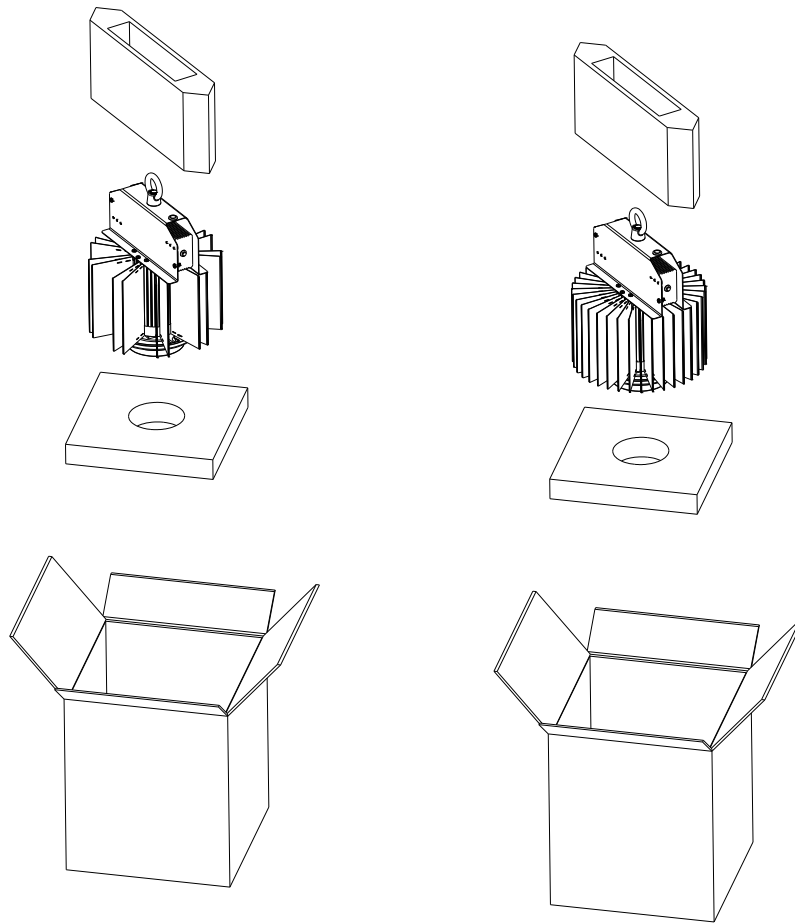
PART NO. : BA0CCGHWW1301	Symbol	Condition	Min.	Typ.	Max.	Unit
Parameter						
Luminous Flux	Φ_v	90-305 VAC	15480	17200	-	lm
Correlated Color Temperature	CCT	90-305 VAC	5750	6250	6750	K
Color Index	%	90-305 VAC	70	-	-	Ra
Viewing Angle	$\Delta \theta$	90-305 VAC	--	110°	--	Deg
Illuminance @ 1M distance		90-305 VAC	11190	13170	--	Lux
Illuminance @ 8M distance		90-305 VAC	175	205	--	Lux
Illuminance @ 10M distance		90-305 VAC	110	130	--	Lux
Illuminance @ 12M distance		90-305 VAC	75	90	--	Lux
Illuminance @ 15M distance		90-305 VAC	50	60	--	Lux
Power Consumption	P _D	90-305 VAC	171	190	209	W
Power Factor		90-305 VAC	0.92	0.95	--	
Finished weight			-	4	4.5	kg

Radiation Diagram

**BAxxCGHWW1301****BAxxCGHWW0301**



Packing method



PART NO 料號:					
POWER CONSUMPTION 功率:	<input type="checkbox"/> 10W	<input type="checkbox"/> 20W	<input type="checkbox"/> 30W	<input type="checkbox"/> 40W	<input type="checkbox"/> 50W
COLOR TEMPERATURE 色溫:	<input type="checkbox"/> 3000K	<input type="checkbox"/> 4000K			
QUANTITY 數量:	1			PCS	
N.W. 淨重:				BOS	
G.W. 毛重:				BOS	
REMARK 備註:					

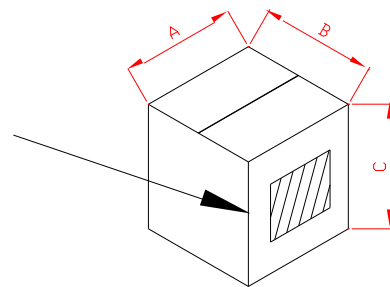


印刷內容 尺寸:160*160

PART NO 料號:					
POWER CONSUMPTION 功率:	<input type="checkbox"/> 10W	<input type="checkbox"/> 20W			
COLOR TEMPERATURE 色溫:	<input type="checkbox"/> 3000K	<input type="checkbox"/> 4000K			
QUANTITY 數量:	1			PCS	
N.W. 淨重:				BOS	
G.W. 毛重:				BOS	
REMARK 備註:					



印刷內容 尺寸:160*160



Part No.	A (mm)	B (mm)	C (mm)
BA50xGHWWx201	290	290	324
BA90xGHWWx201	290	290	324
BA0AxGHWWx201	290	290	324
BA0BxGHWWx201	290	290	324
BA0CxGHWWx201	290	290	349



Packing method

