



EnergyLED

6F.,NO.542-4,Zhongzheng Rd ., Xindian Dist.,
,New Taipei City 231,Taiwan (R.O.C)
TEL : 886-2-7729-0589
FAX : 886-2-7729-1871
<http://www.energyled.com>

SPECIFICATION

PART NO. : TAxCH8xDxxxD

AC LED Light Tube
(PIR & 微波感應燈管)

2FT(580mm) / 4FT(1198mm)

Approved by

Checked by

Prepared by

Approved by	Checked by	Prepared by



Part Number Information:

TAxxCH8xDxxxD

POWER :

10 → 10W

20 → 20W

SIZE :

2: 2ft 580mm

4: 4ft 1198mm

包裝 :

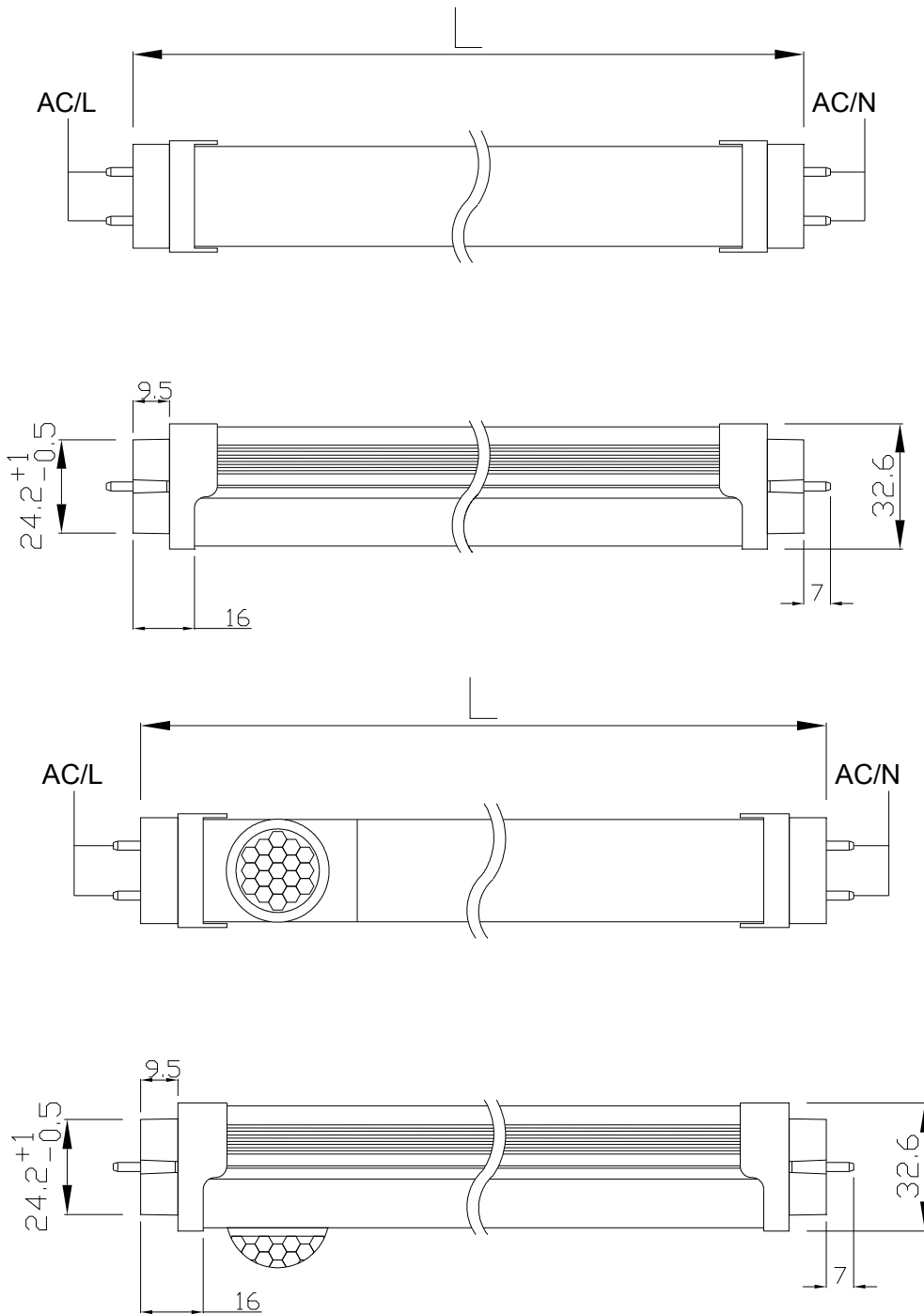
MW0 → 微波感應

PIR → 人體紅外線感應



Dimensions:

PART NO.	L ± 3.0(mm)
TA10CH82DxxxD	580mm (2FT)
TA20CH84DxxxD	1198mm (4FT)



1. All dimensions are in millimeters.
2. Tolerance is ±0.5 mm(±0.02 inch) unless otherwise noted.

**Electrical And Optical Characteristics:**

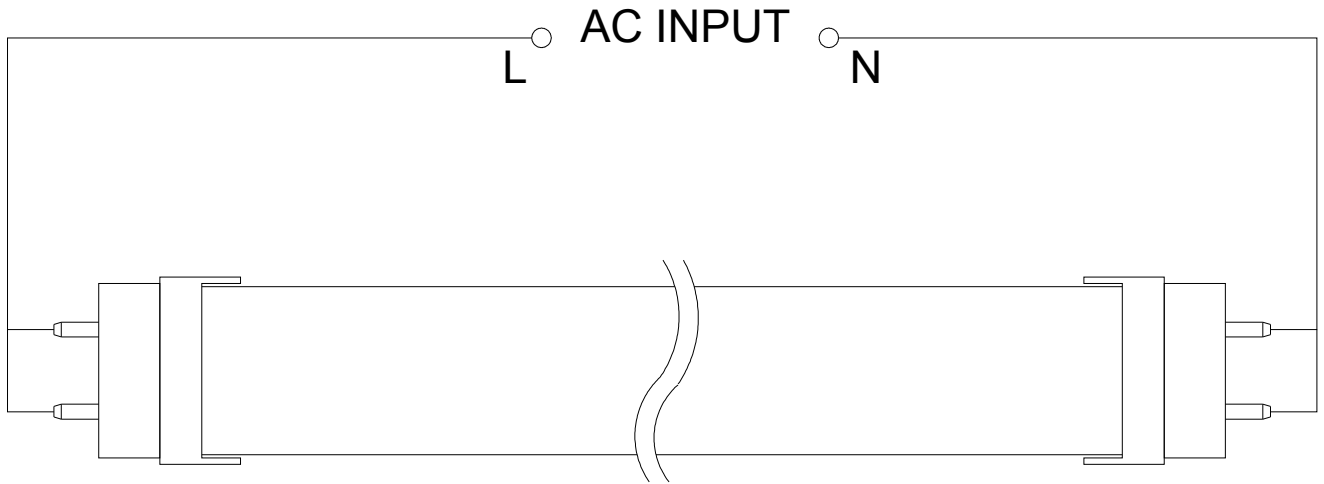
PART NO.	Correlated Color Temperature (K)		Condition (V)	Illuminance (LUX)			Luminous Flux (lm)		Power Consumption (W)				
				@ 1m distance			min	typ	min	typ	min	typ	max
					min	typ							
TA10CH82DxxxD	6000K	±300K	AC220V (60Hz)	Sensor OFF	23	28	110	130	-	3	5		
				Sensor ON	190	230	890	1050	08	10	12		
TA20CH84DxxxD	6000K	±300K	AC220V (60Hz)	Sensor OFF	50	60	230	270	-	3	5		
				Sensor ON	400	470	1850	2200	18	20	22		

Absolute Maximum Ratings:

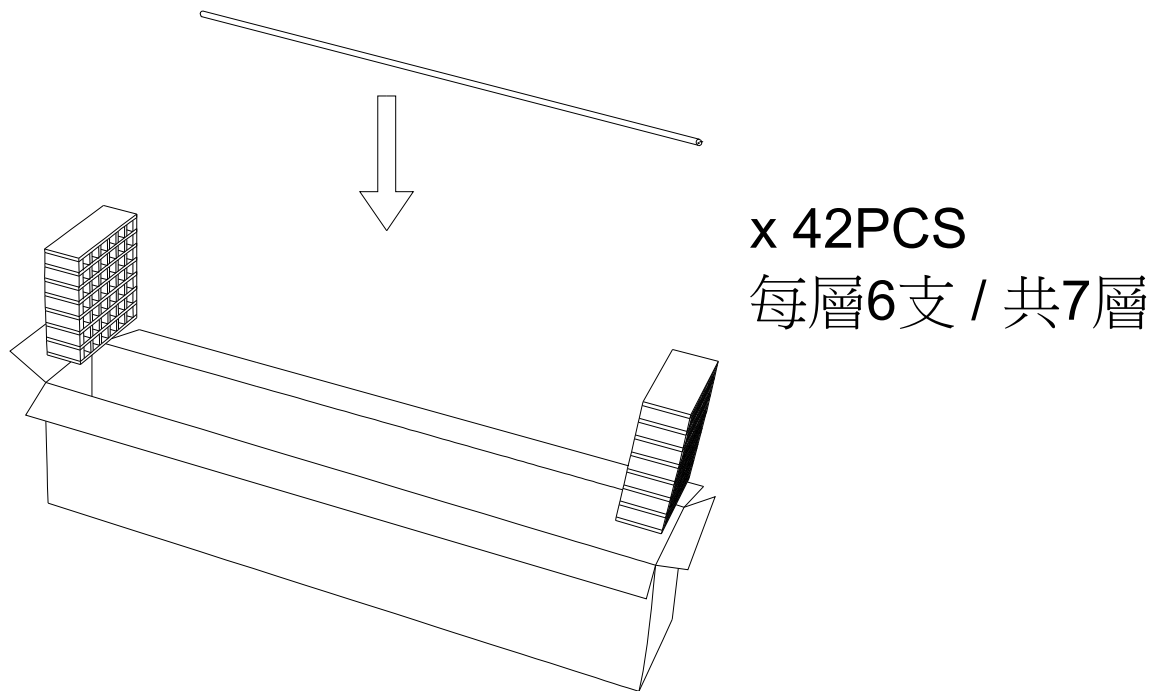
AC Input Range	AC100~240V /47~63Hz	
Weight	160g@ 2FT / 260g@ 4FT	
Ra	>80	
Operating Temperature Range	0°C ~ +45°C	
Storage Temperature Range	-10°C ~ +65°C	
PIR Sensor	感應角度	120 度
	感應距離	約 6 米
	動作說明	註： 1. 障礙物及人體能量大小，將影響感應靈敏度與距離 2. 環境溫度上升，也將影響感應靈敏度與距離 感應到人體移動時，燈馬上全亮 人體離開或靜止，20 秒後進入微亮
微波 Sensor	感應角度	180 度
	感應距離	約 7 米
	動作說明	註：周邊障礙物或金屬物將影響感應靈敏度與距離 感應到物體移動時，燈馬上全亮 物體離開或靜止，20 秒後進入微亮



Standard accessories installation:



Encased Type:



PART NO.	Quantity	L(mm)	W(mm)	H(mm)	N.W. (Kg)	G.W. (Kg)
TA10CH82DxxxD	42 PCS	635	230	330		
TA20CH84DxxxD	42 PCS	1243	230	330	11	12.3

OUTTER CARTON